













RH



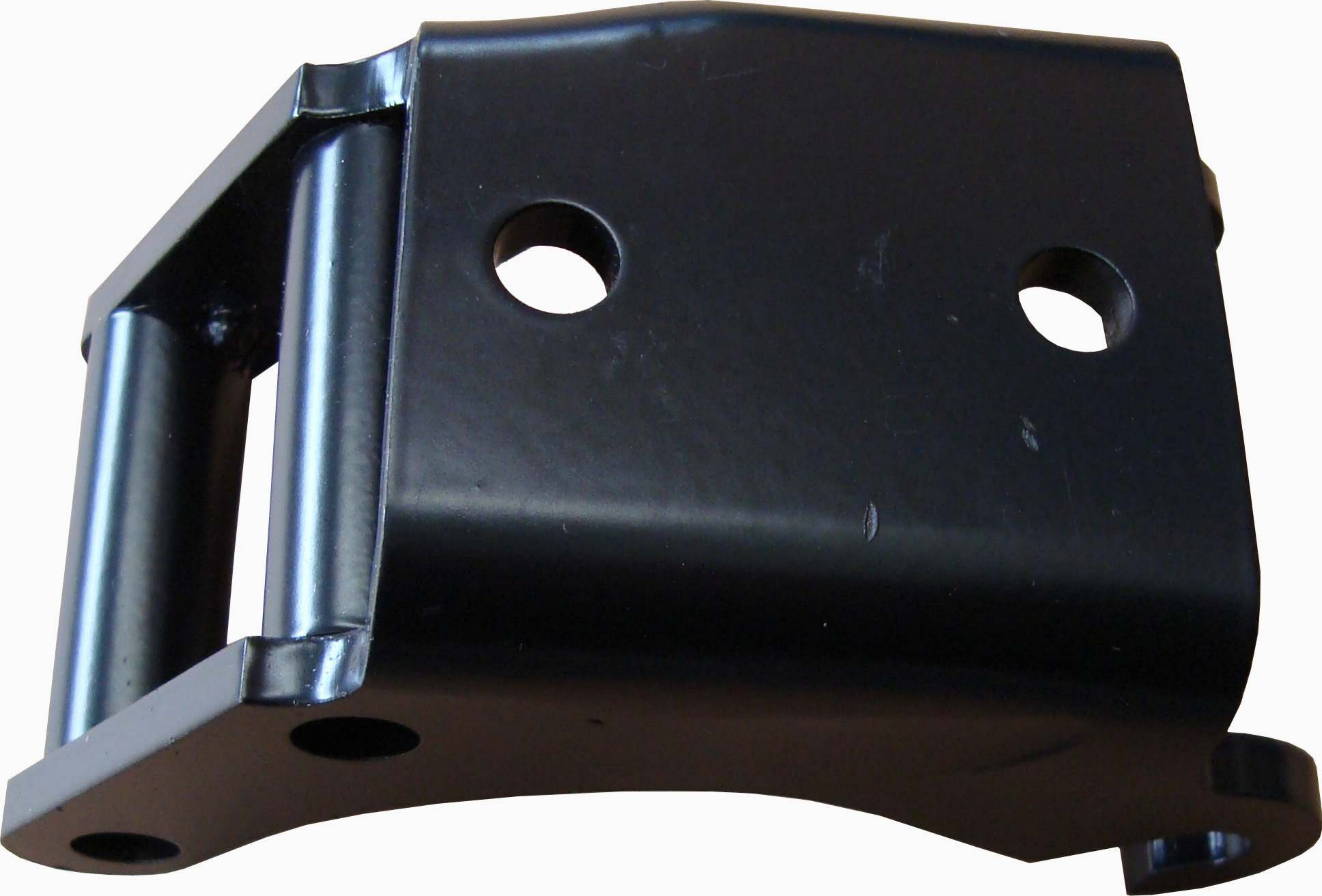




[REDACTED]





























































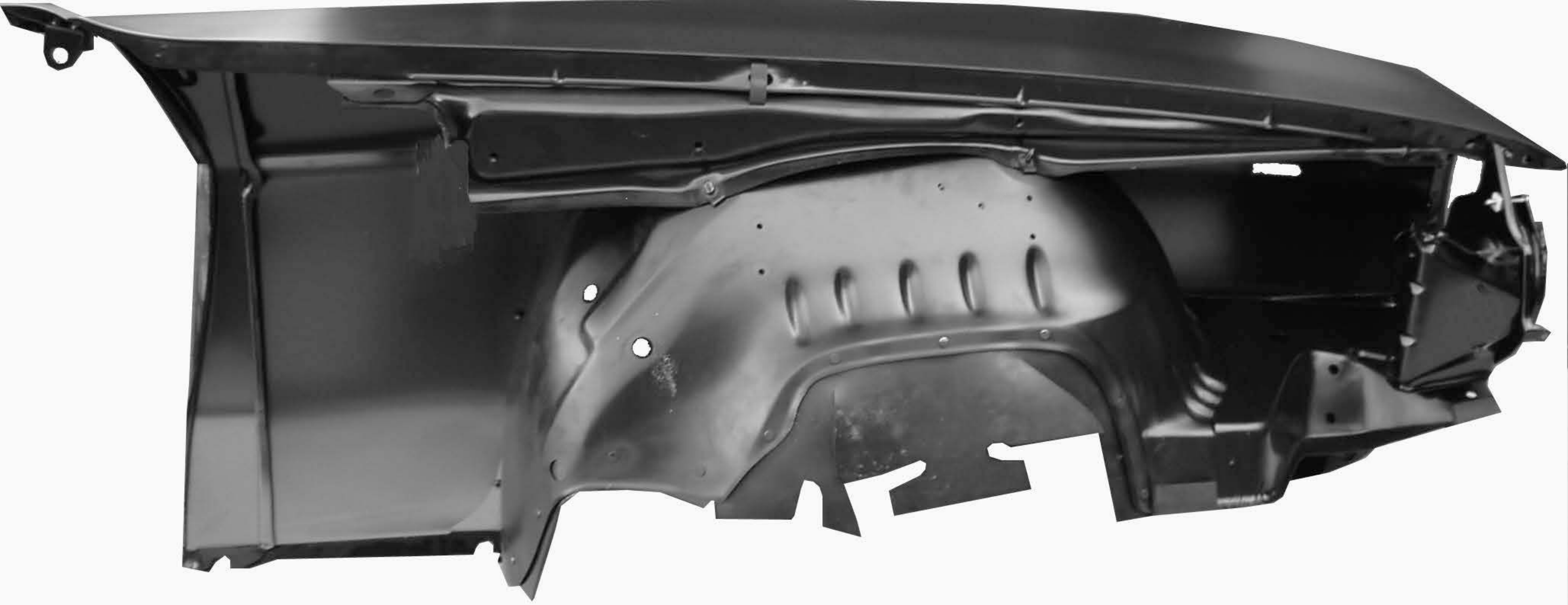


















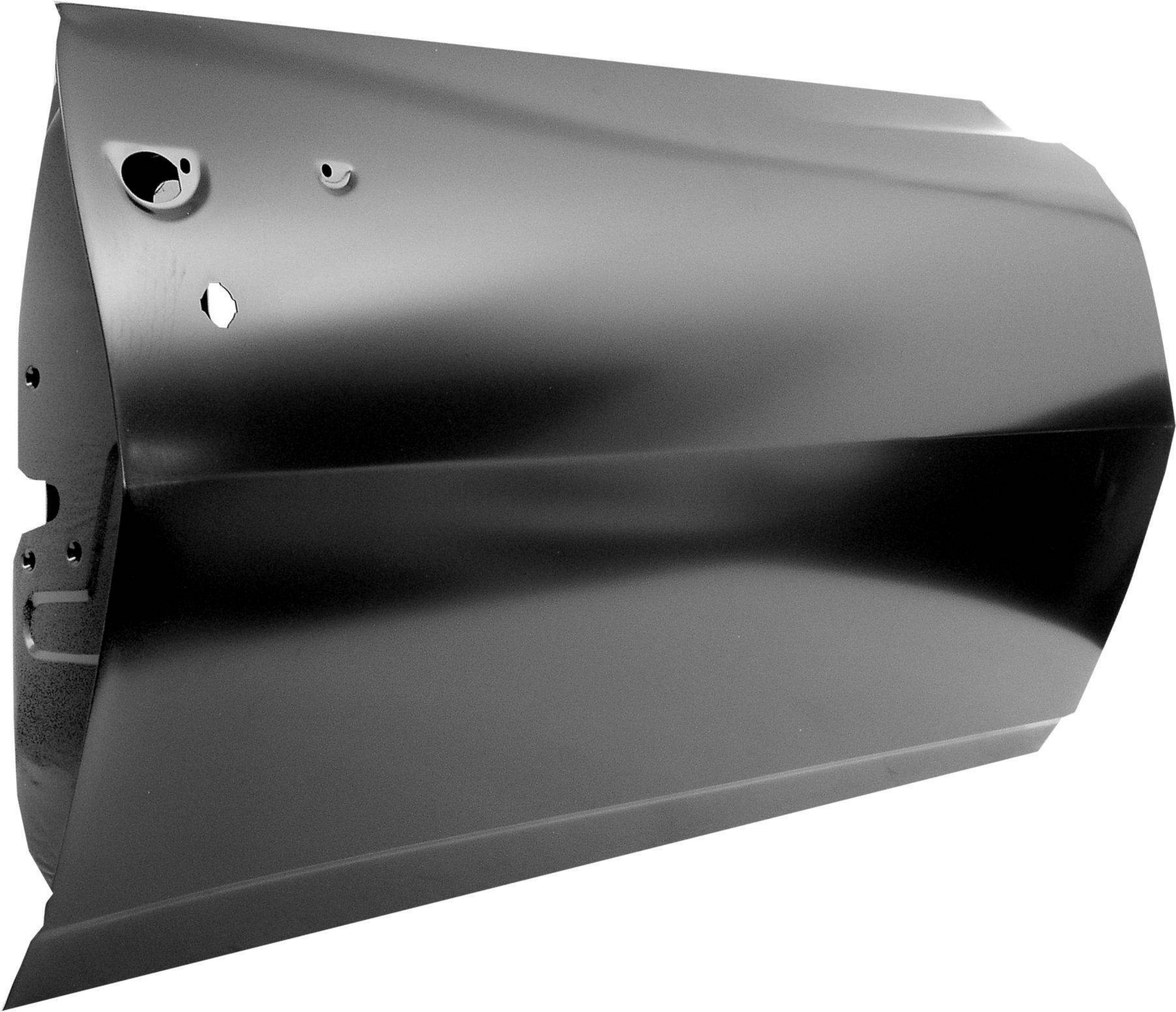


































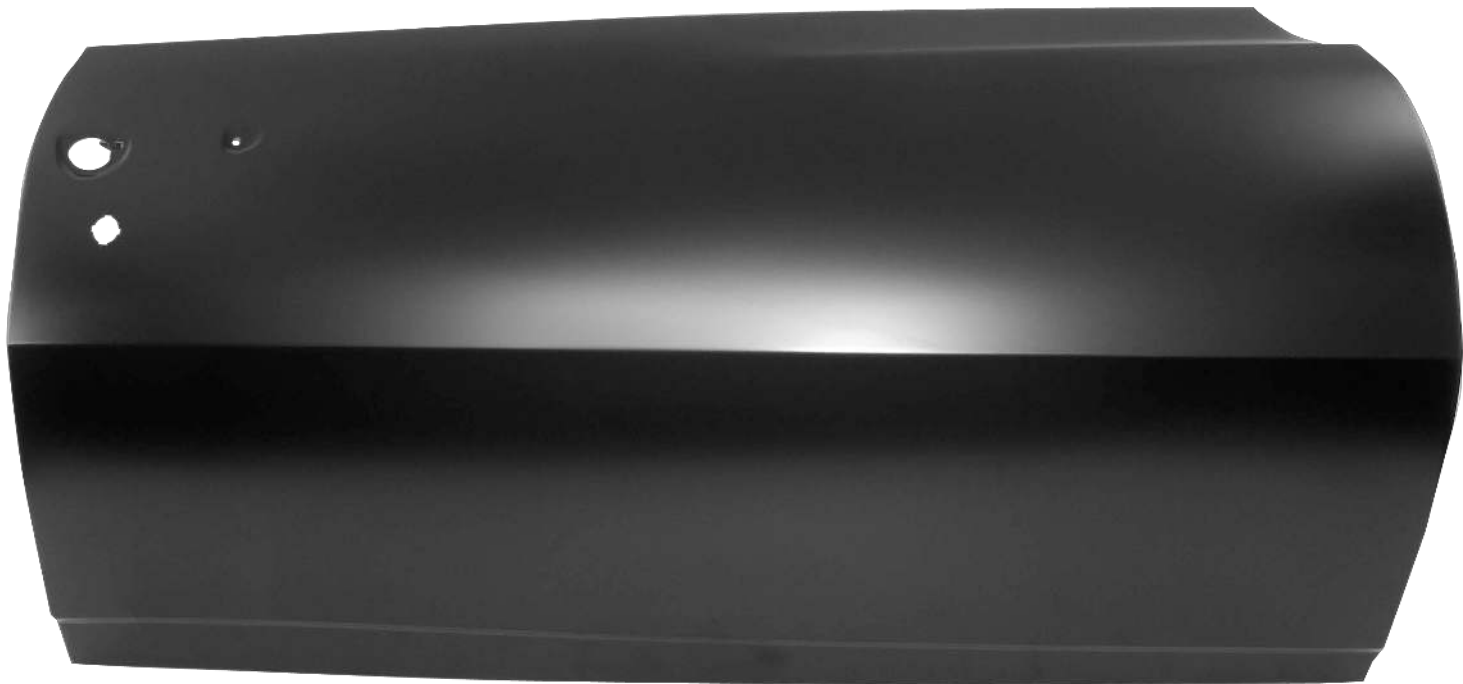






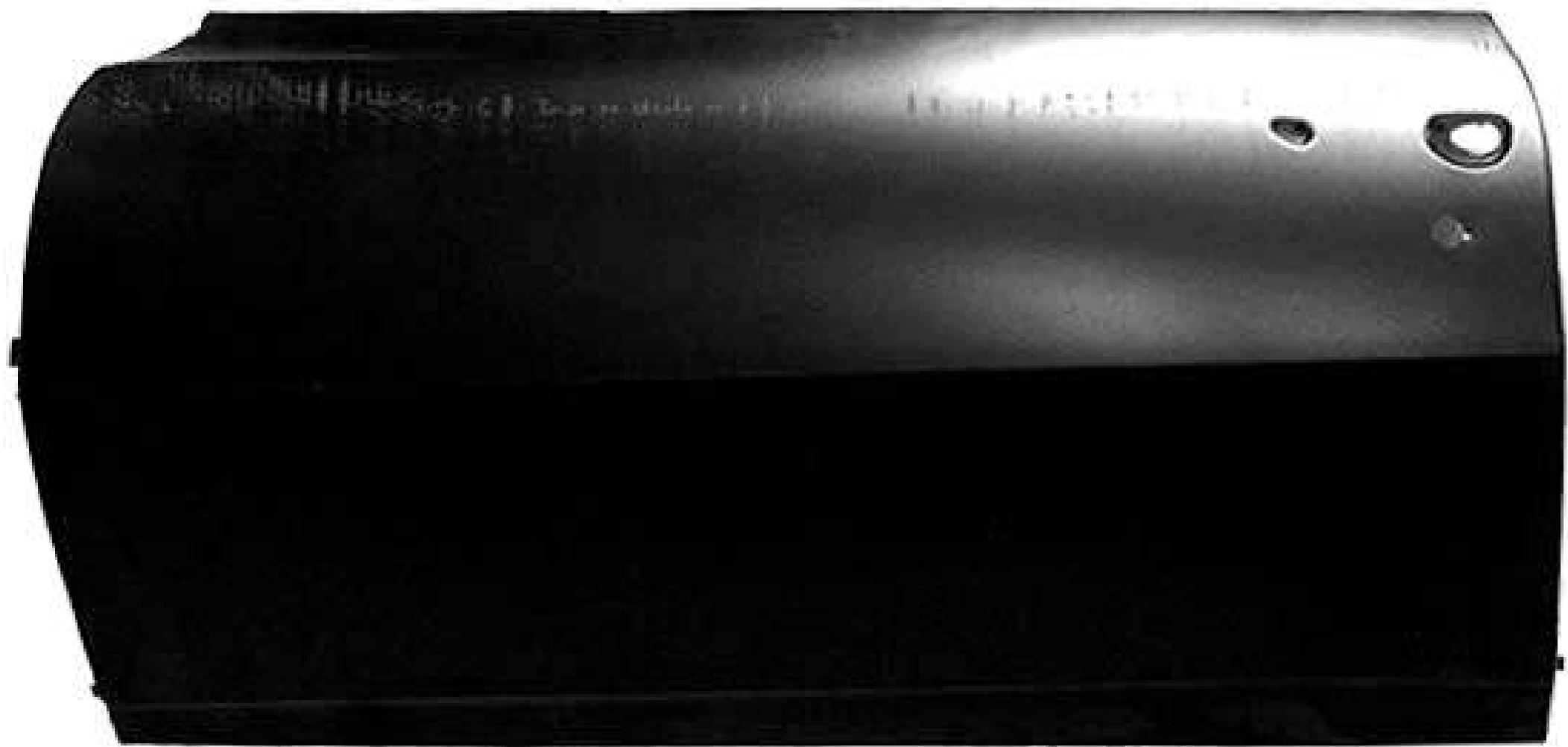








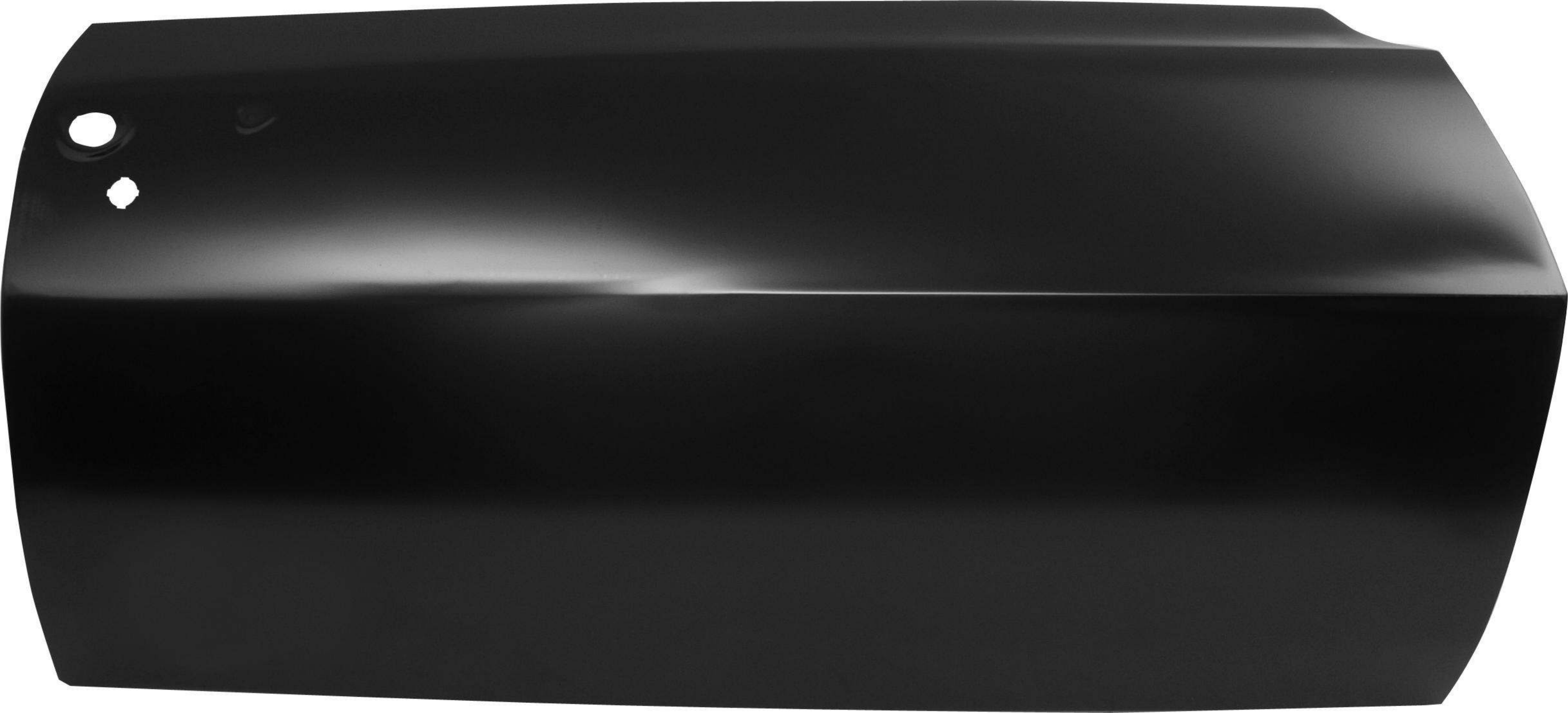




















































**Inner Brace**

















**BACK VIEW** 





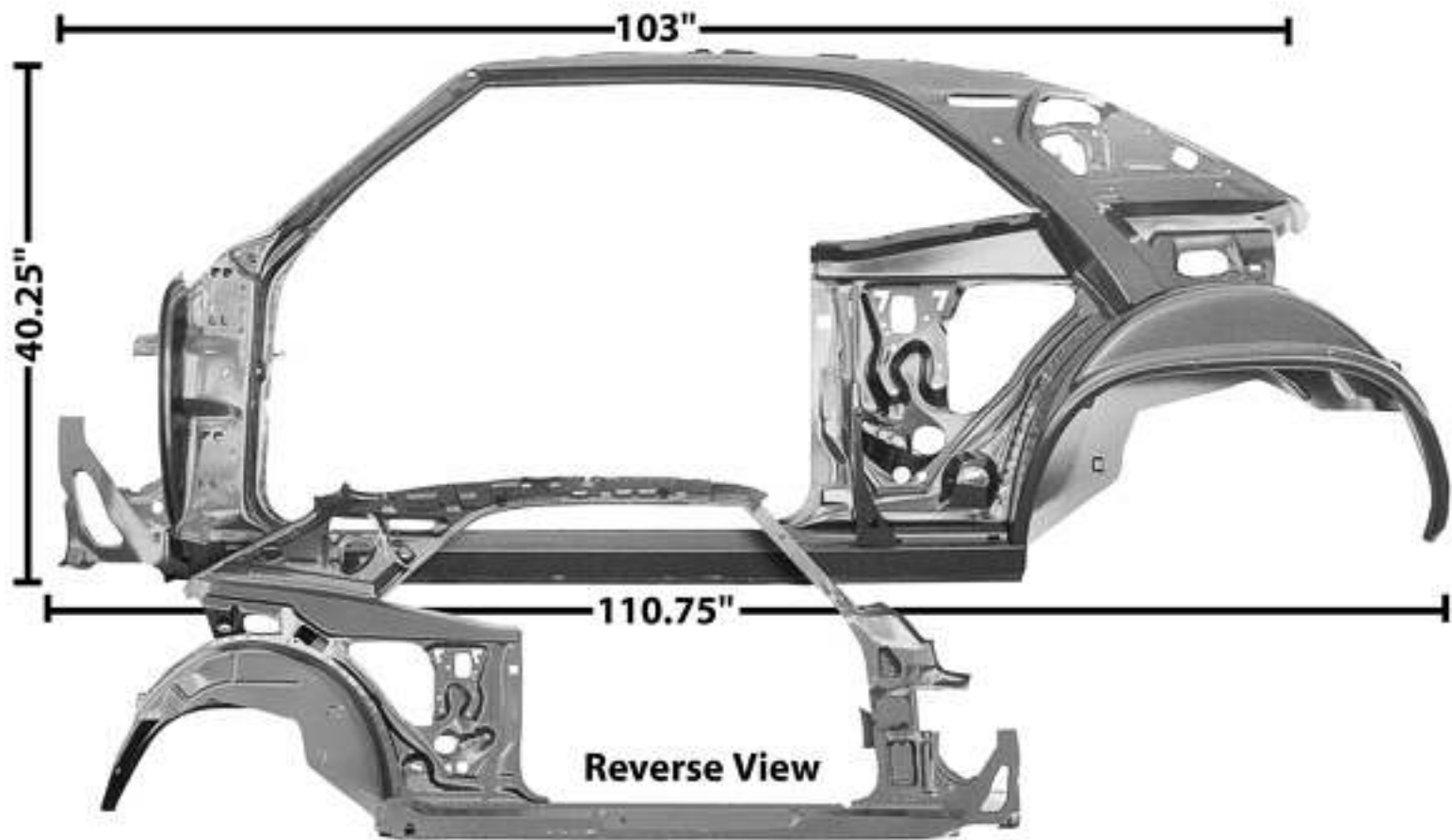




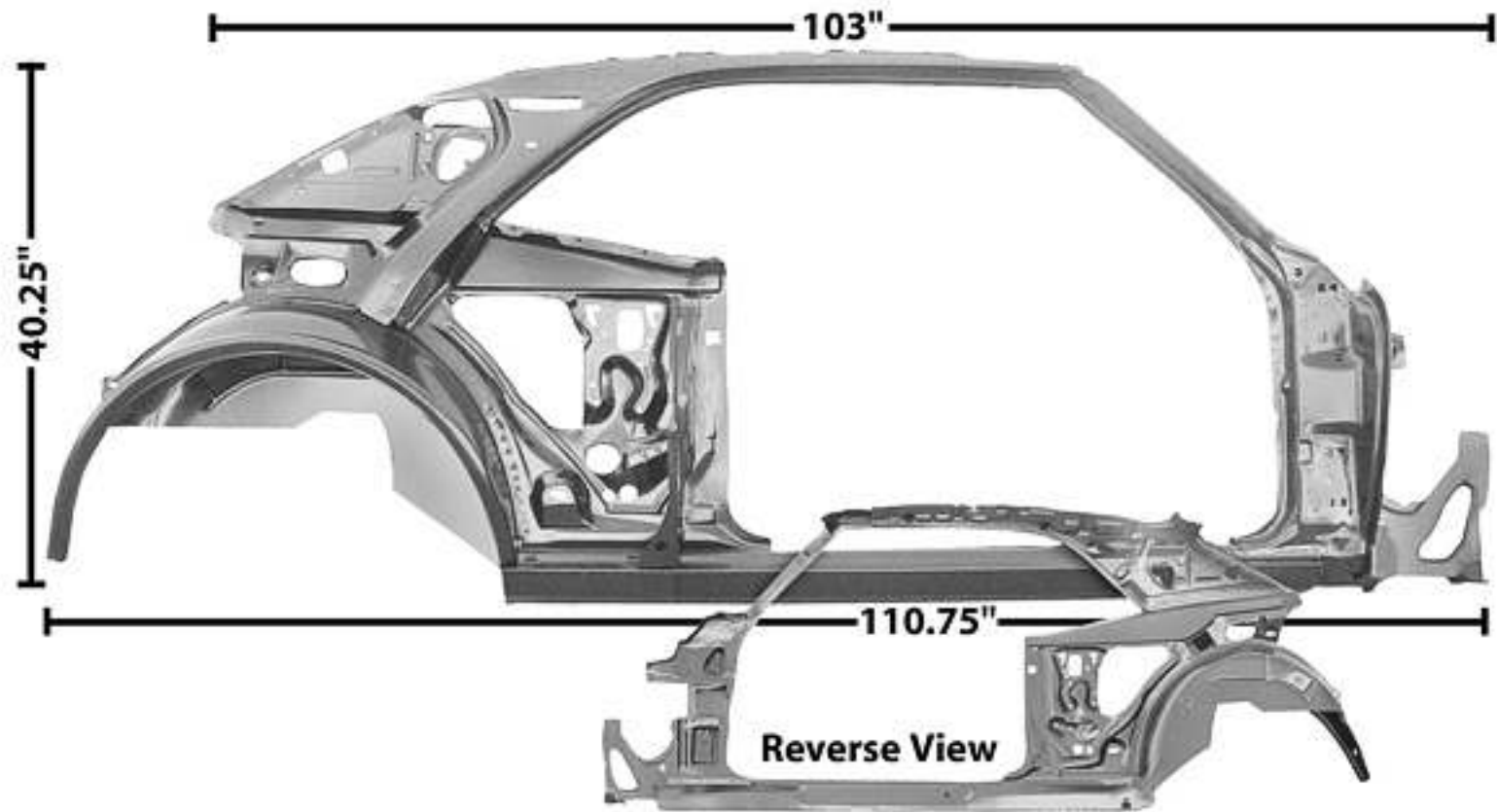








































































































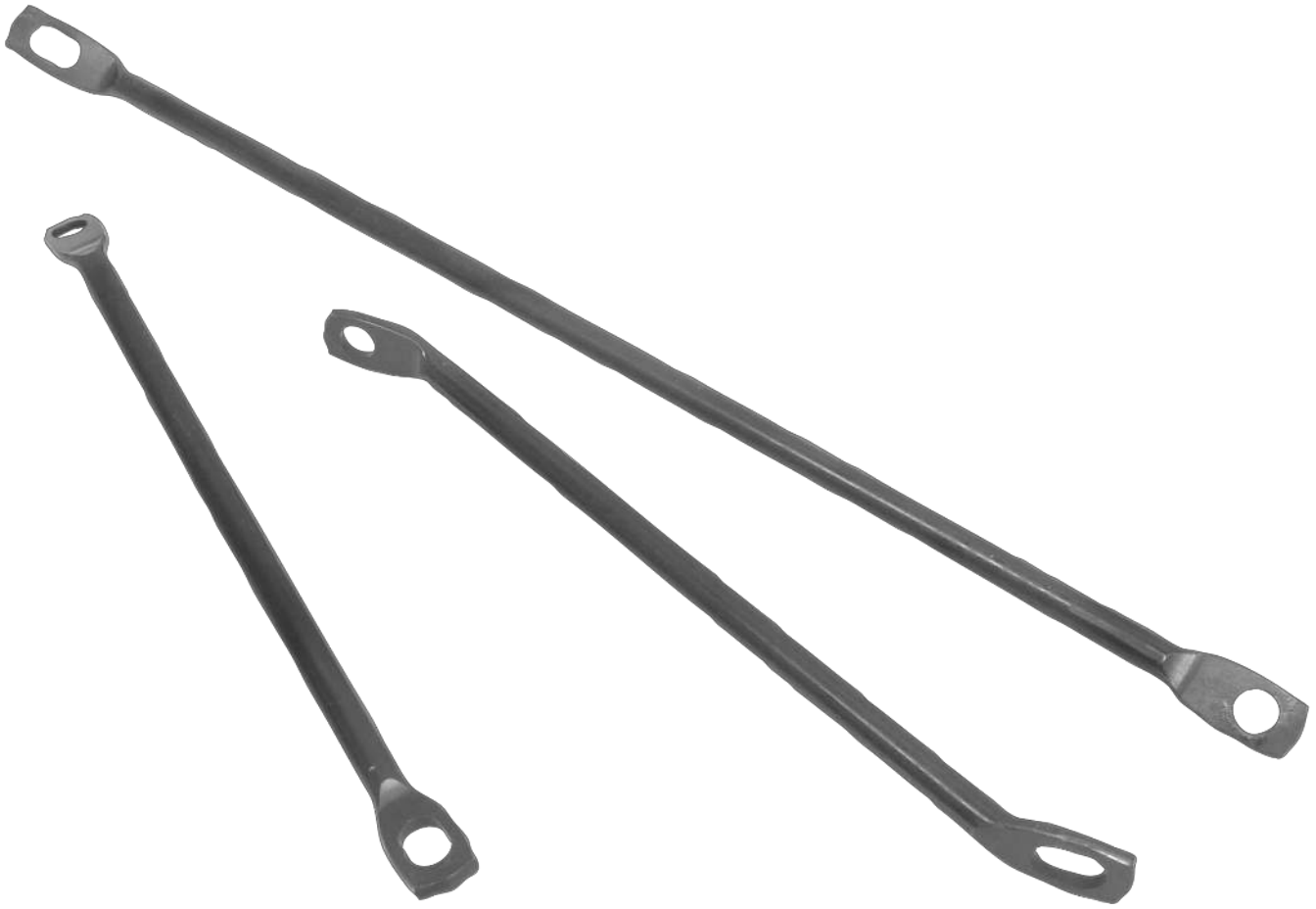






















LH OER







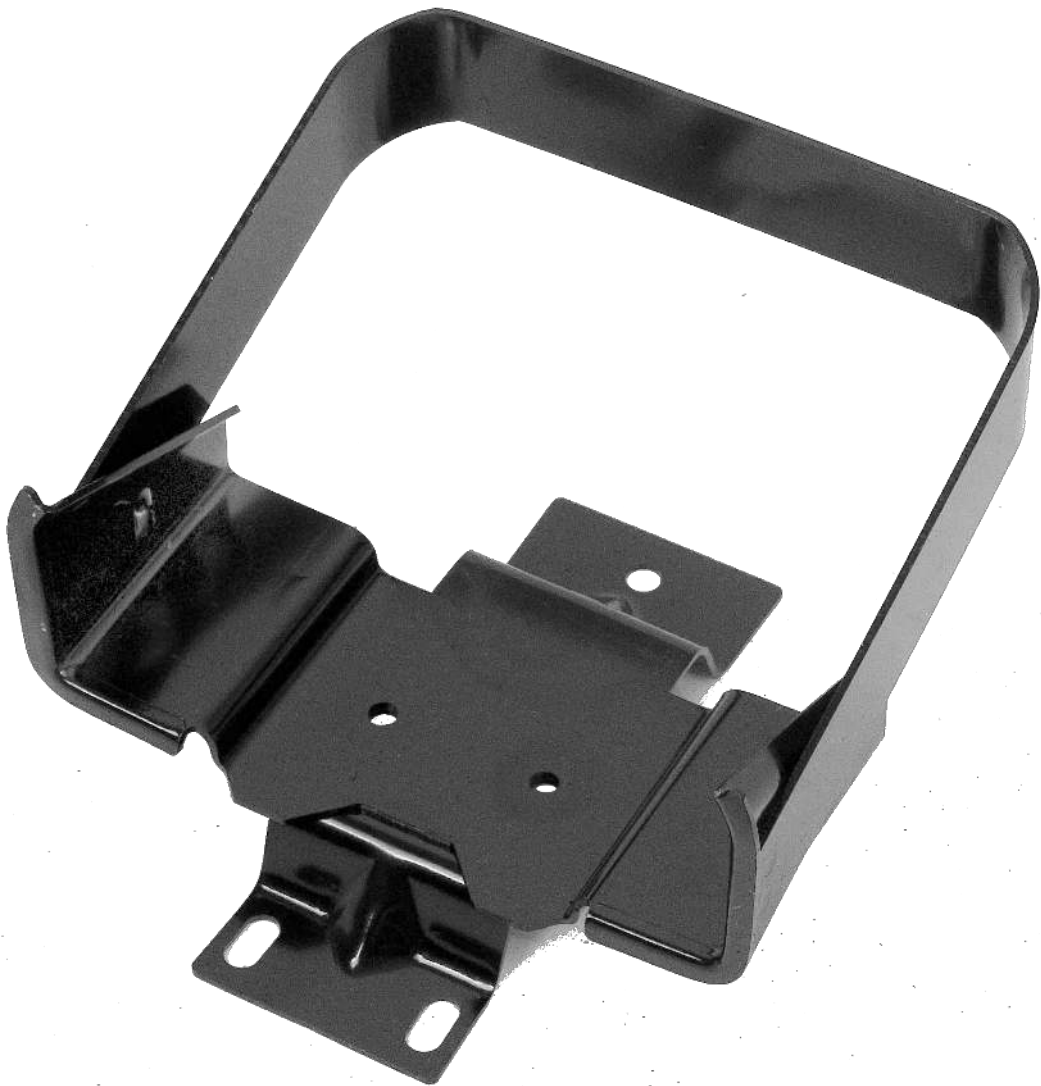




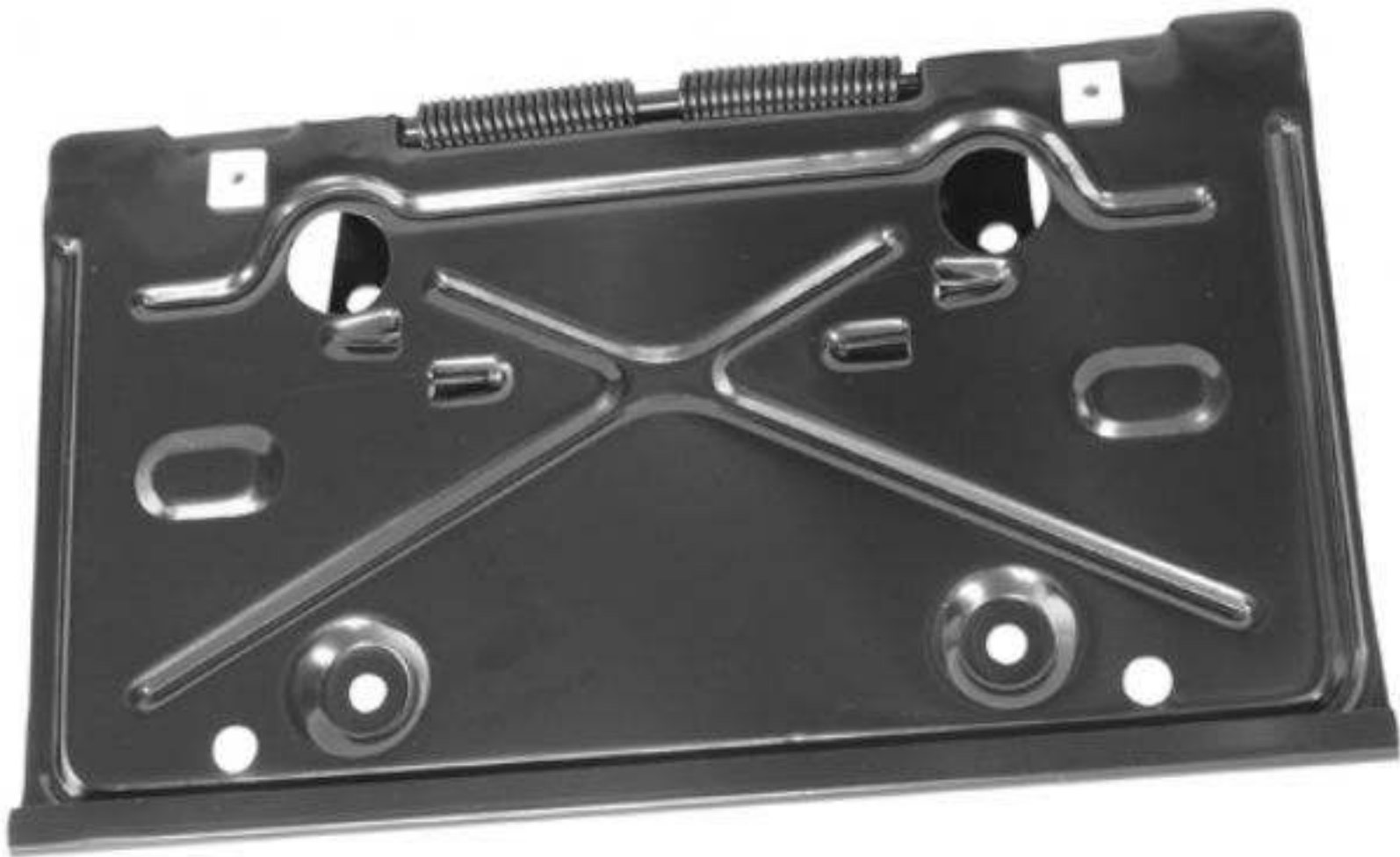
























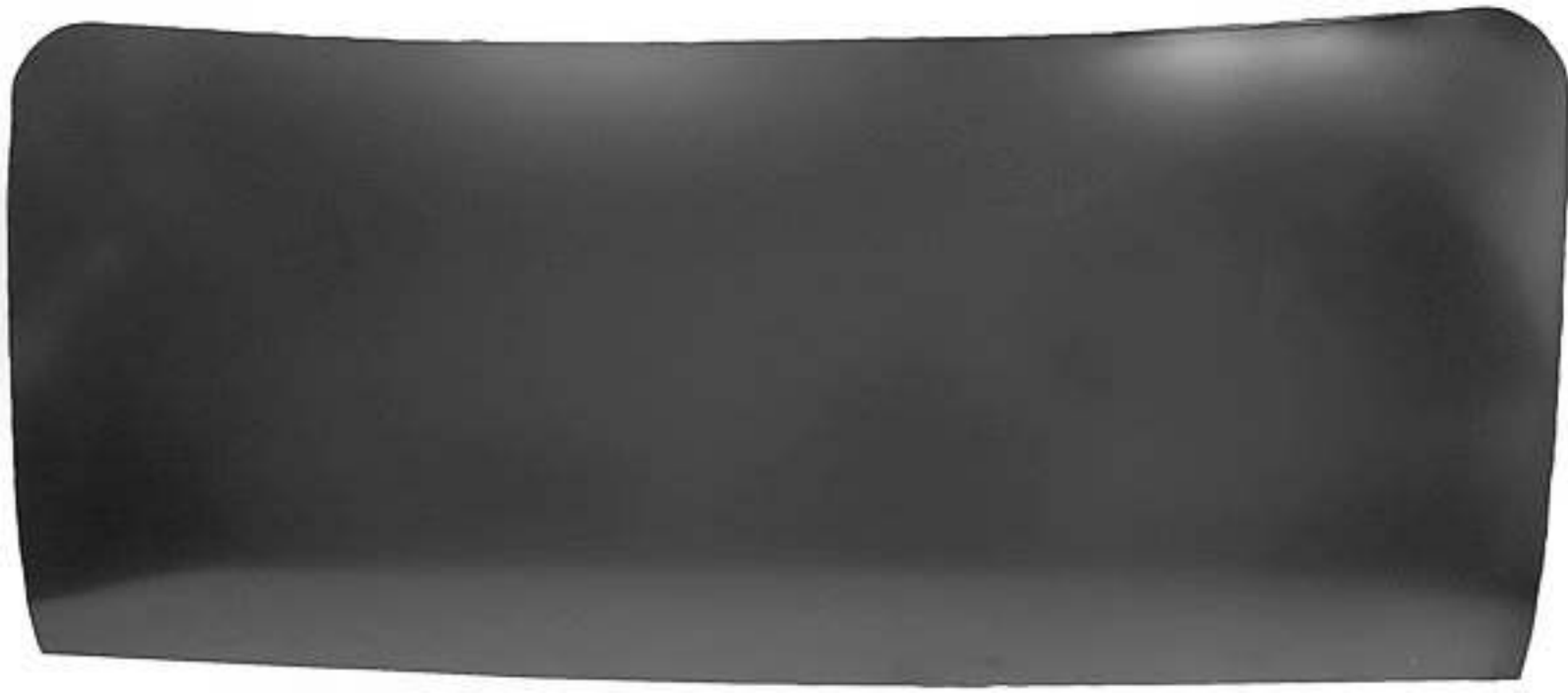




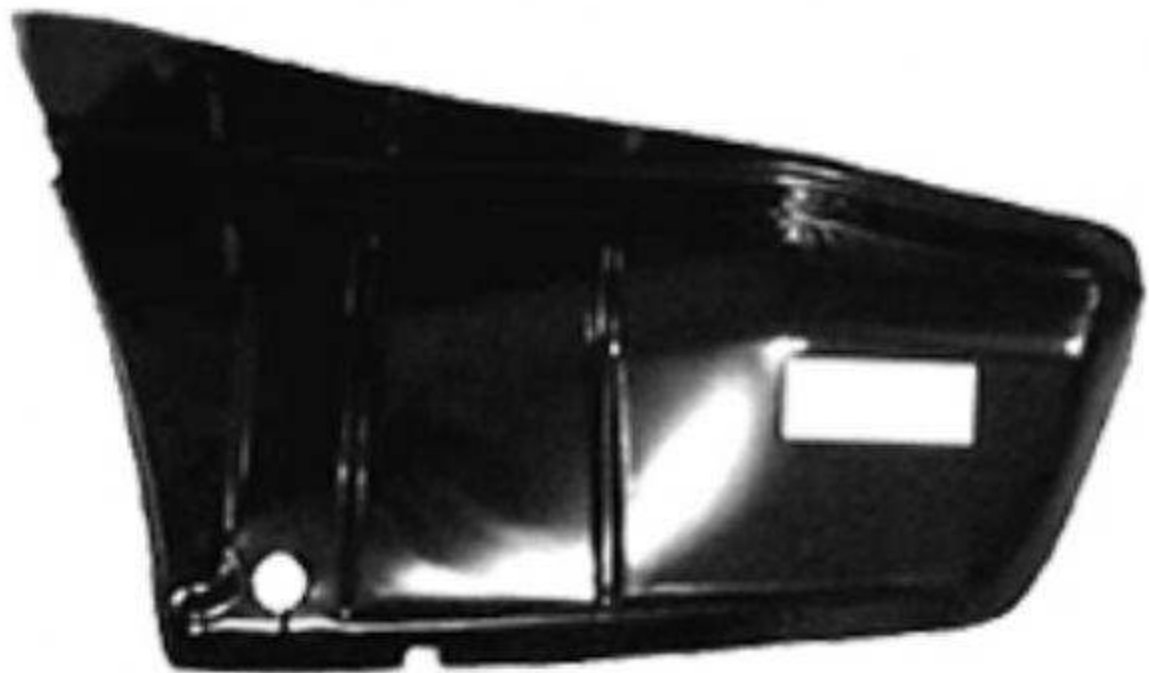




















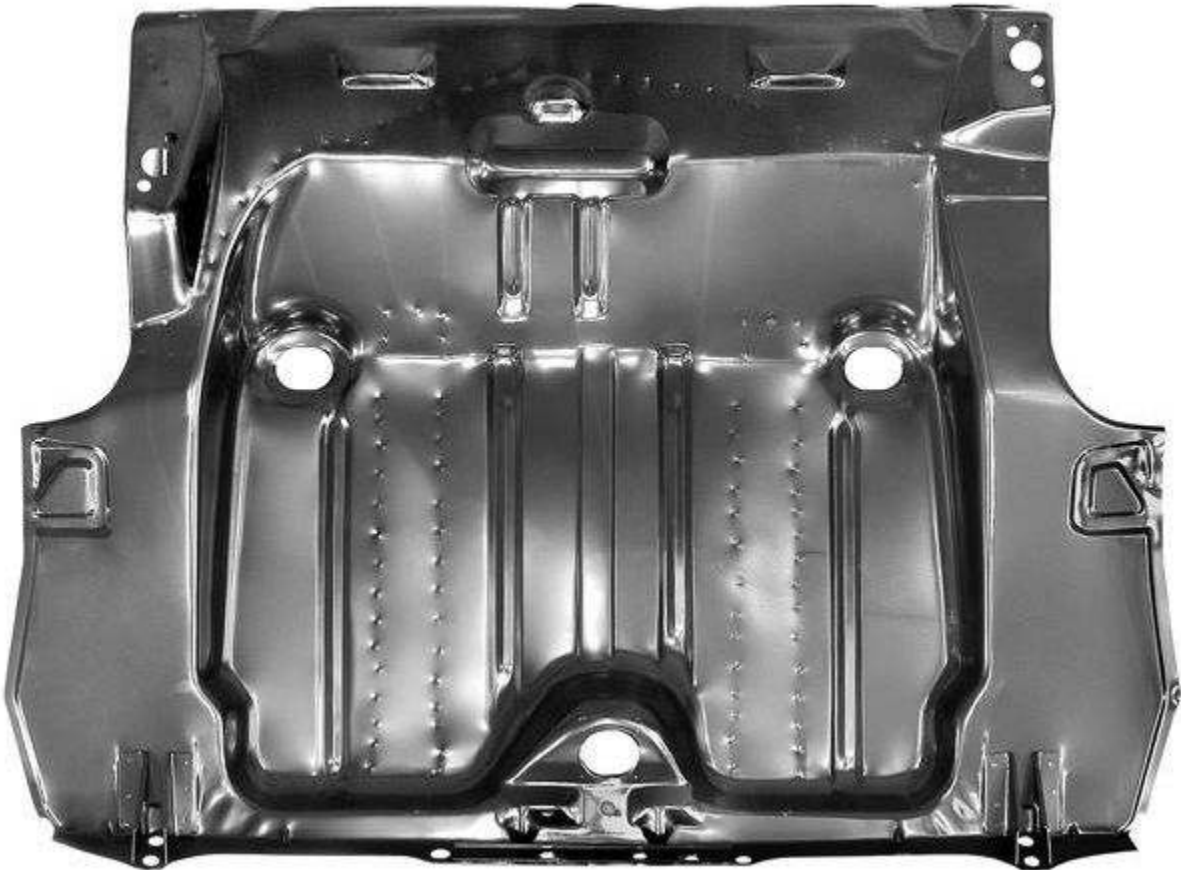
Back View



















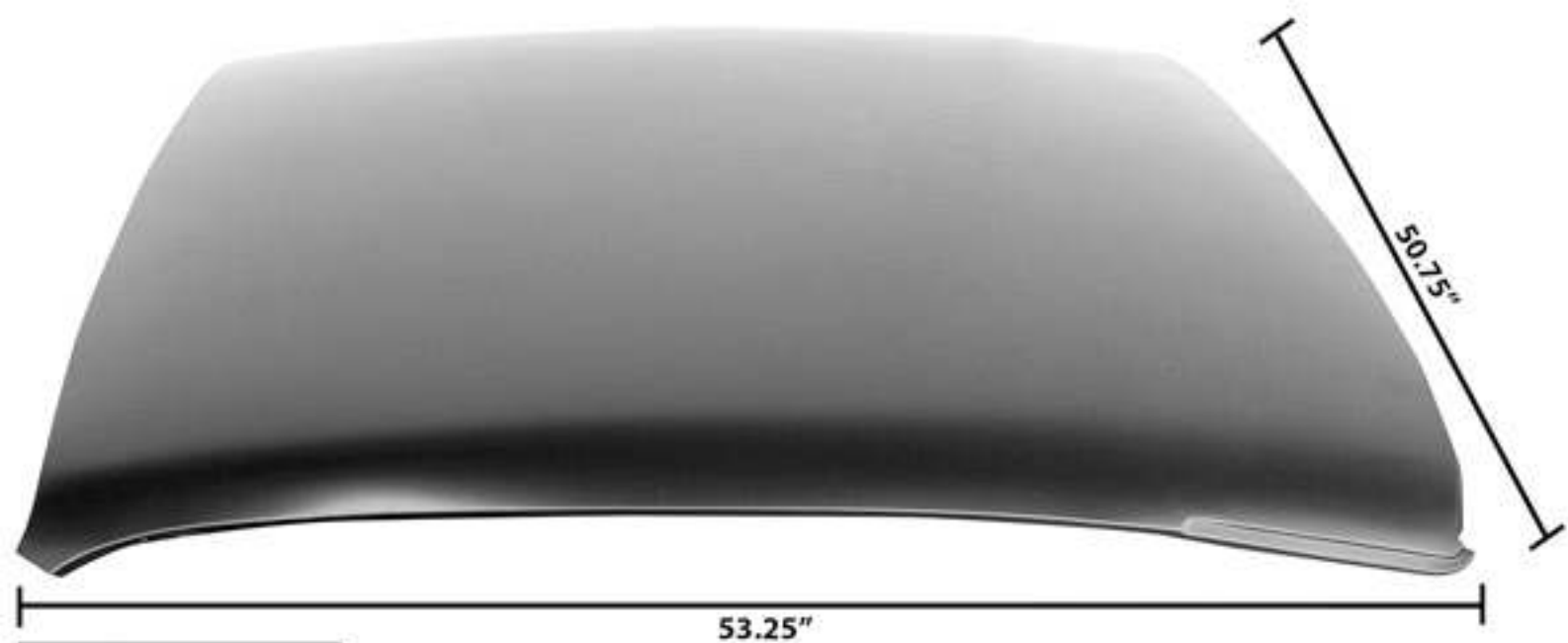












**Box Size:**

**56.50" x 55.75" x 9.25"**

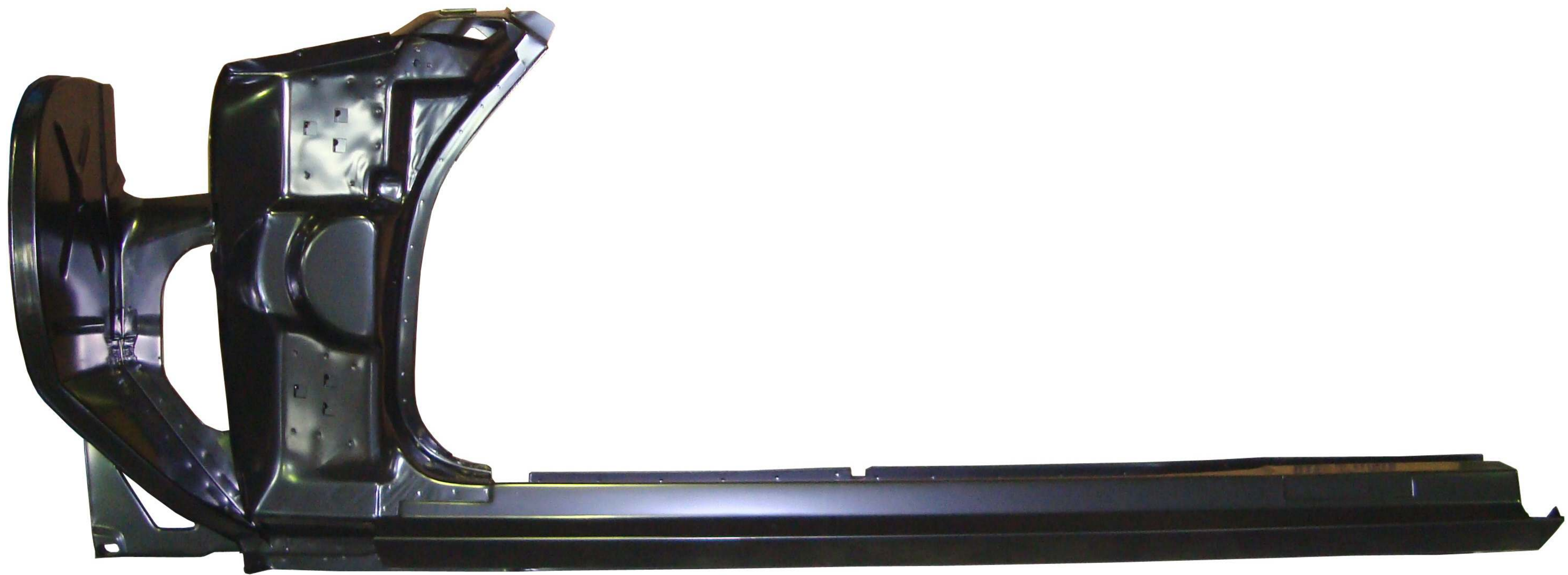
**Weight:**

**37 lbs**











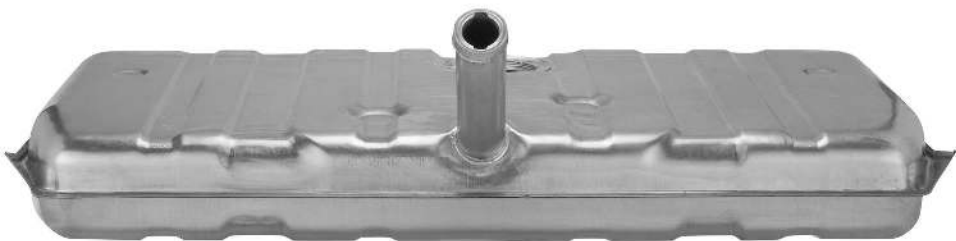










































































































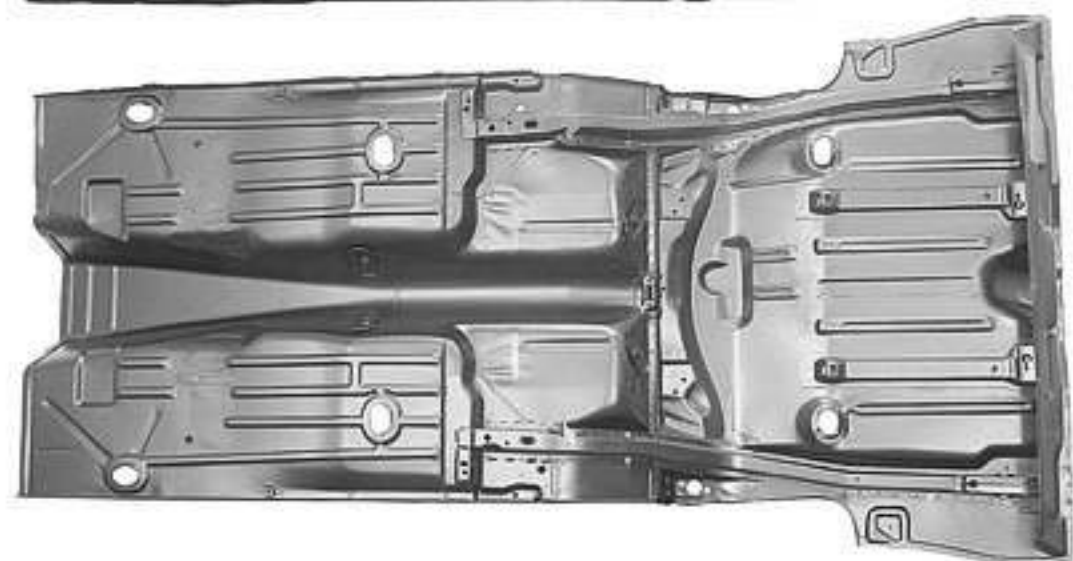
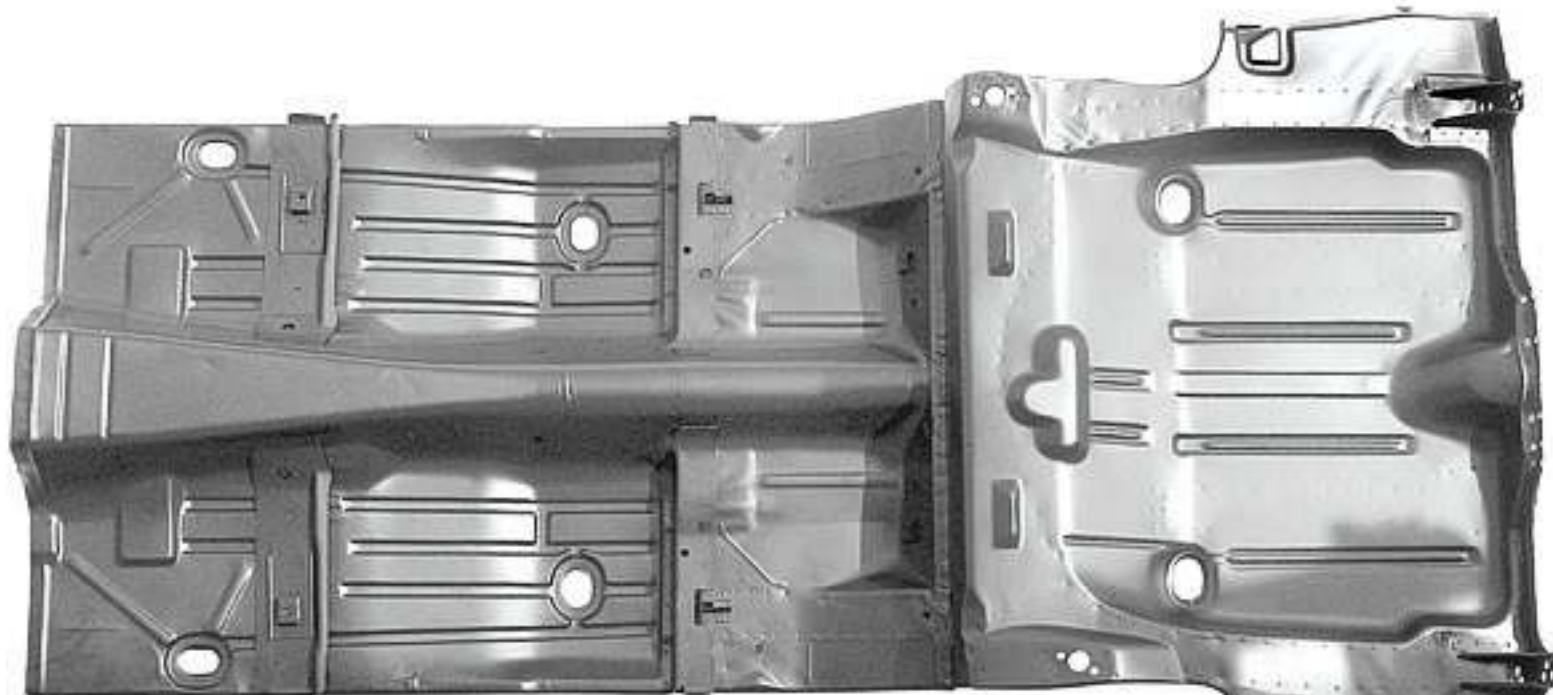








**Back  
View**

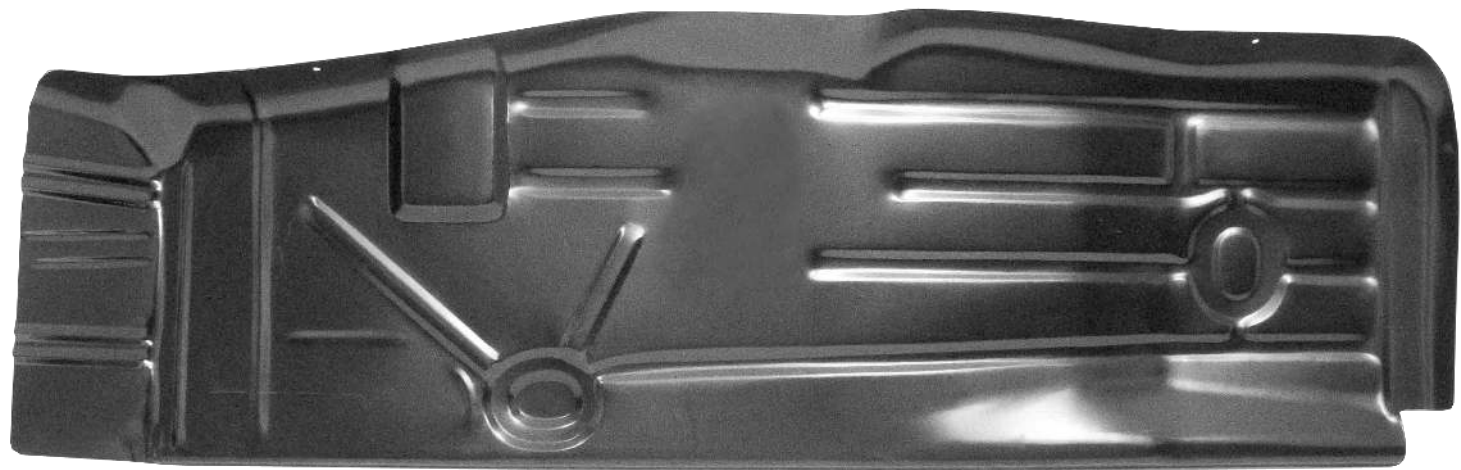


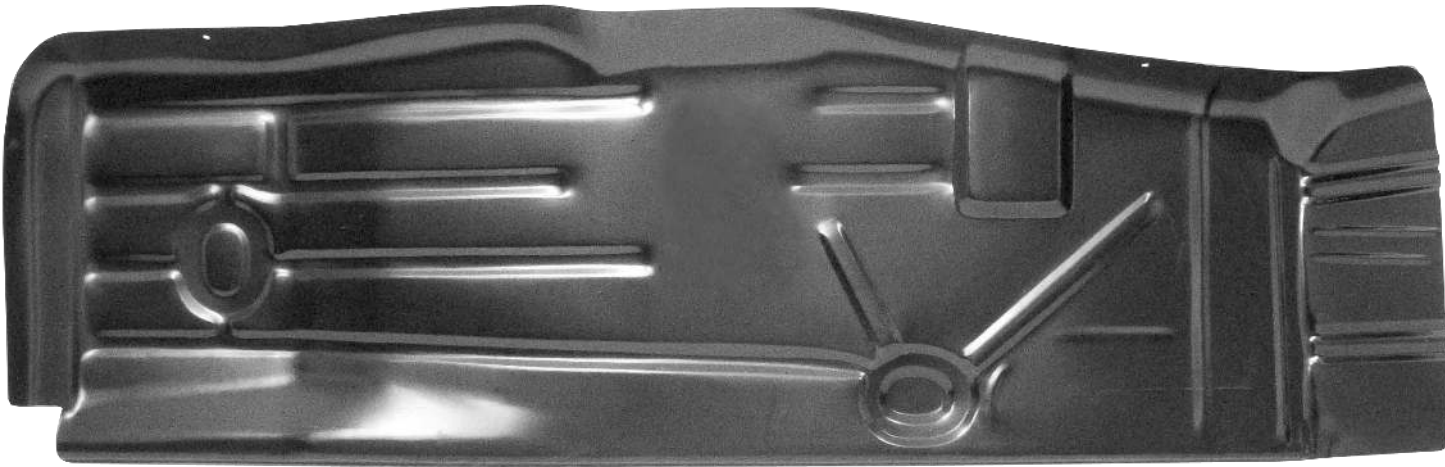
**Back  
View**























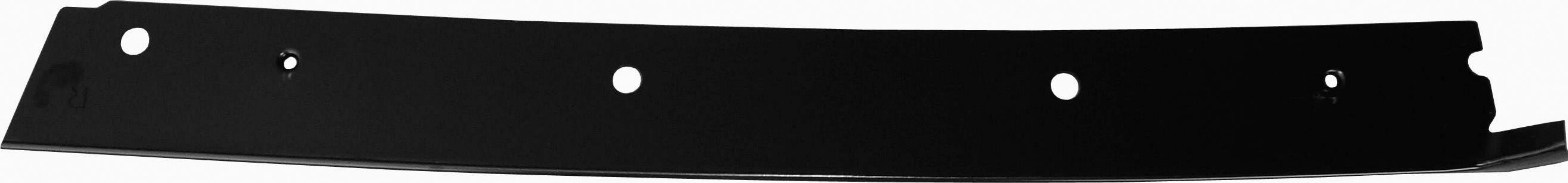




















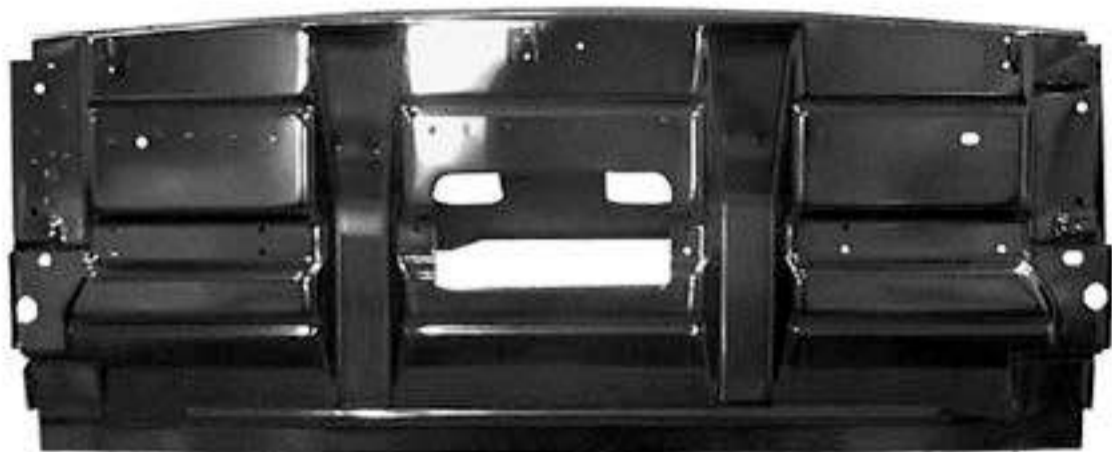












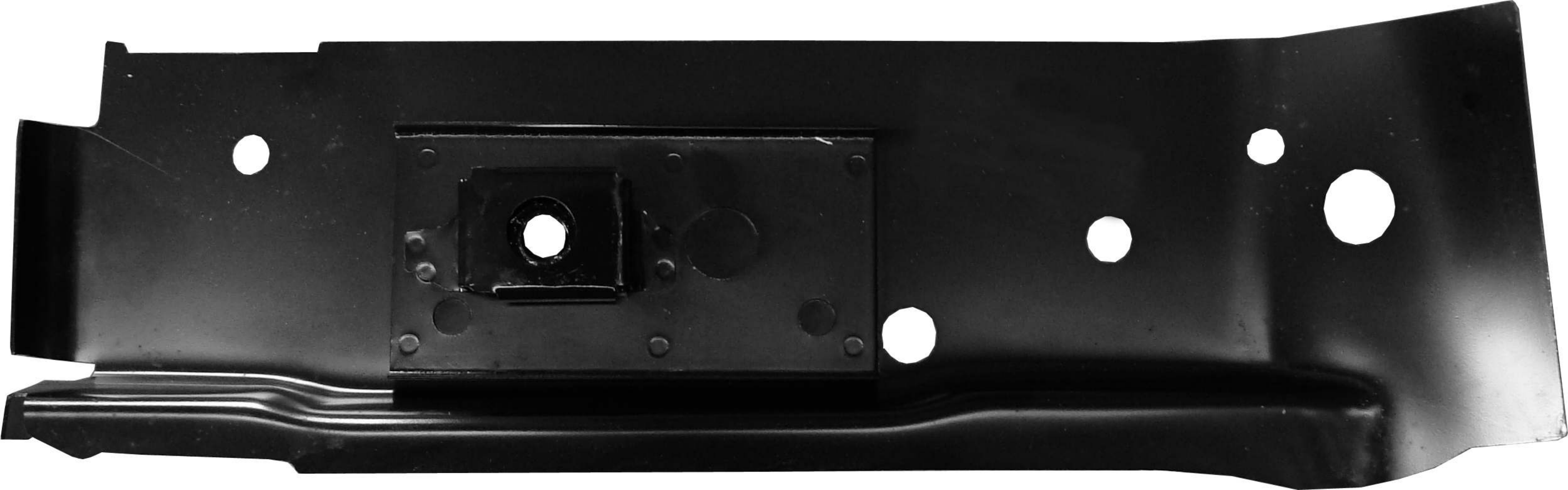


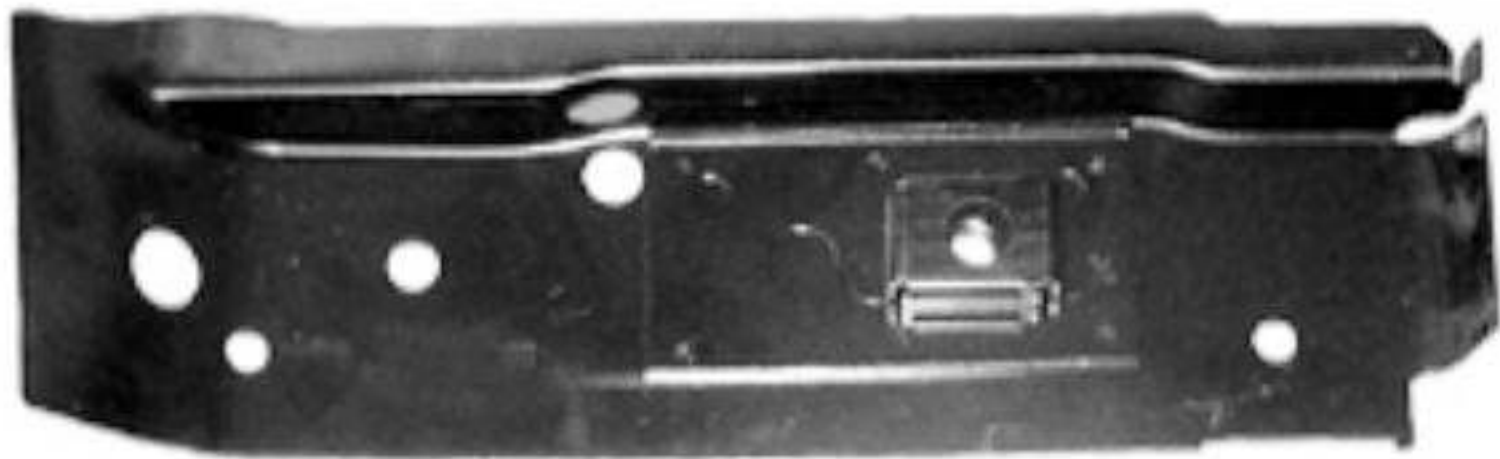




































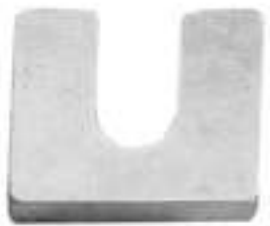






























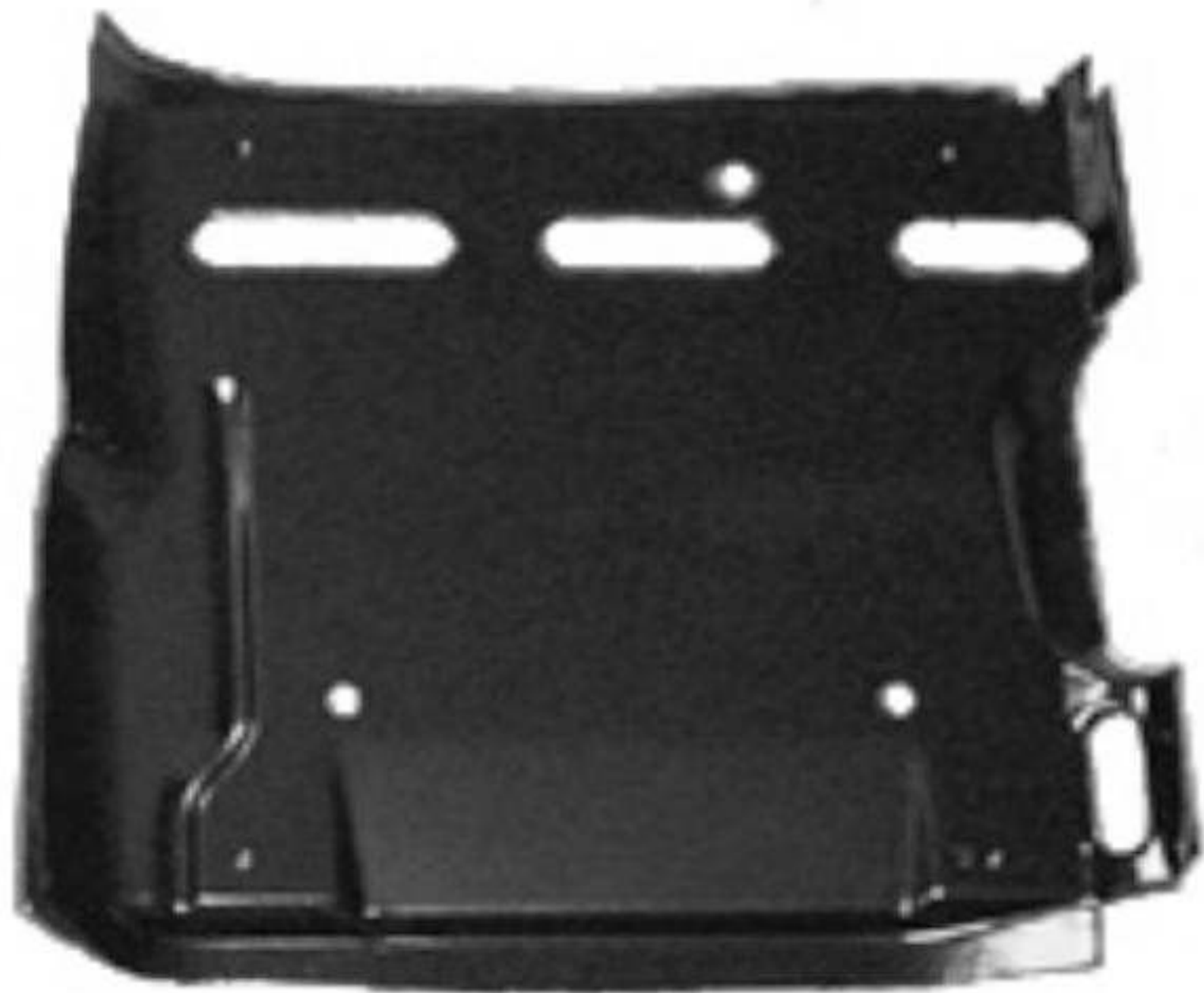


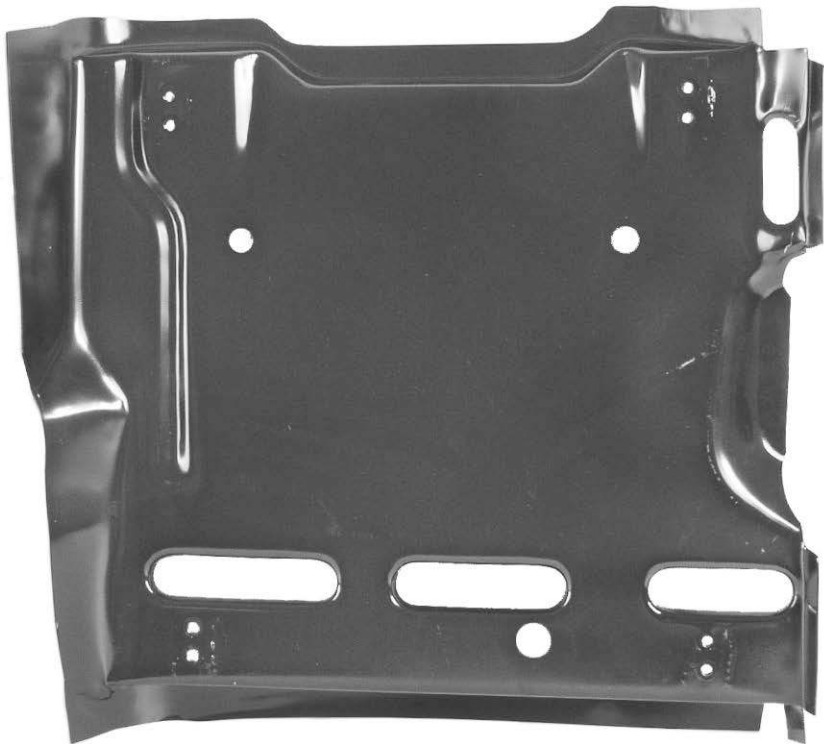


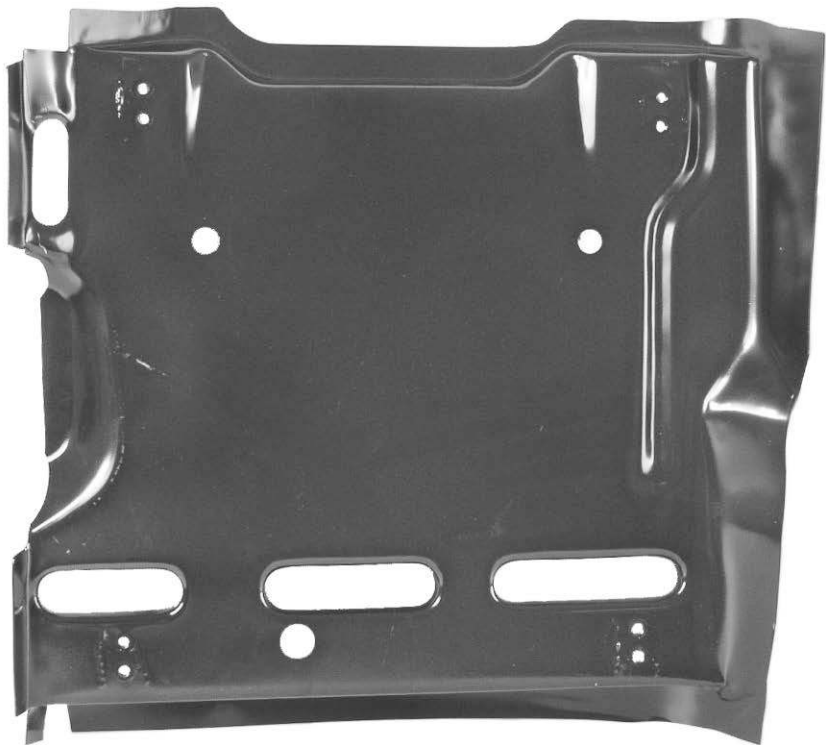




















PARK







PARK









A black, cylindrical component, likely a brake release lever or handle, is shown against a white background. The component has a textured surface and a smaller cylindrical protrusion at one end. The words "BRAKE RELEASE" are embossed in white, uppercase letters across the middle of the cylinder.

**BRAKE RELEASE**









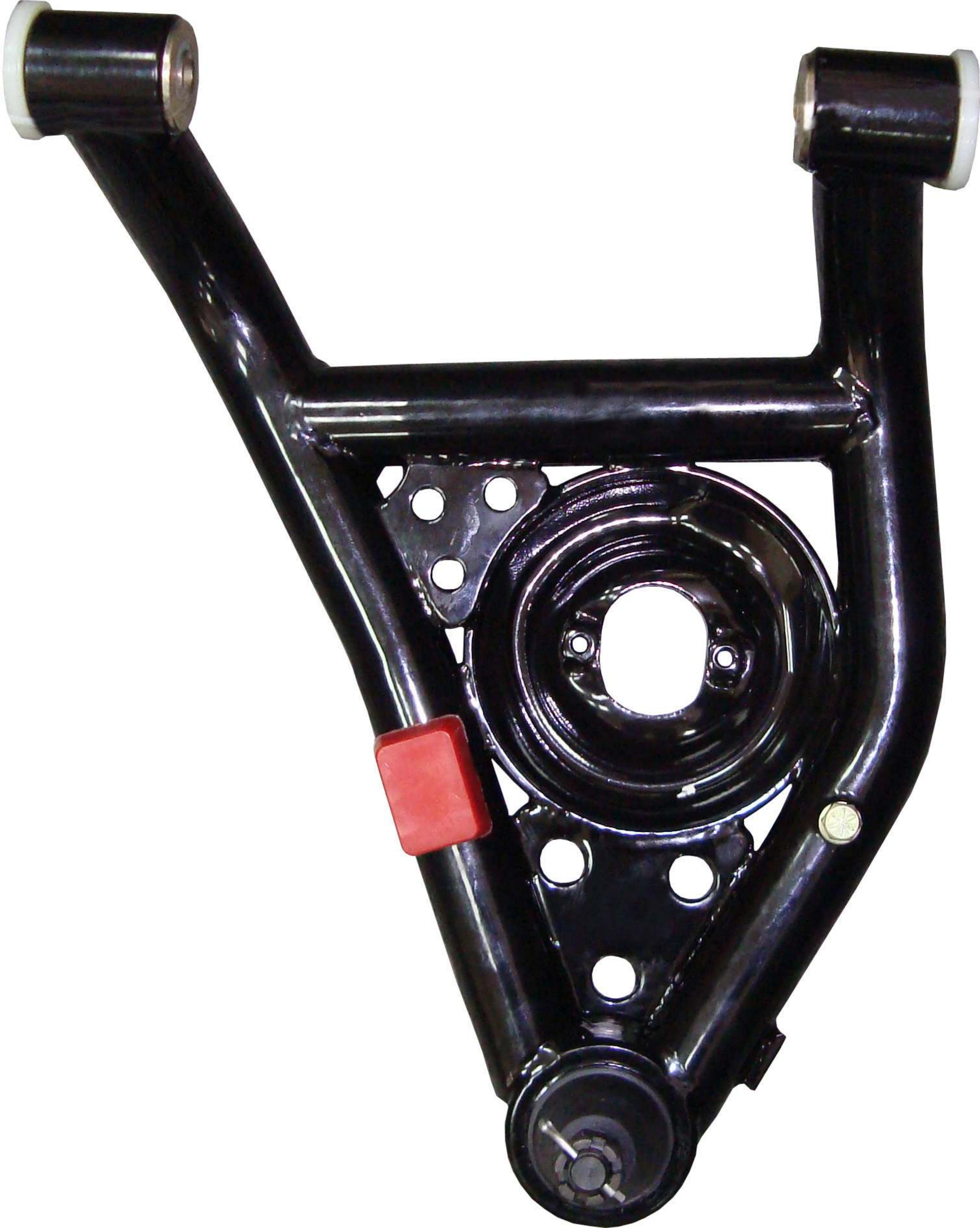




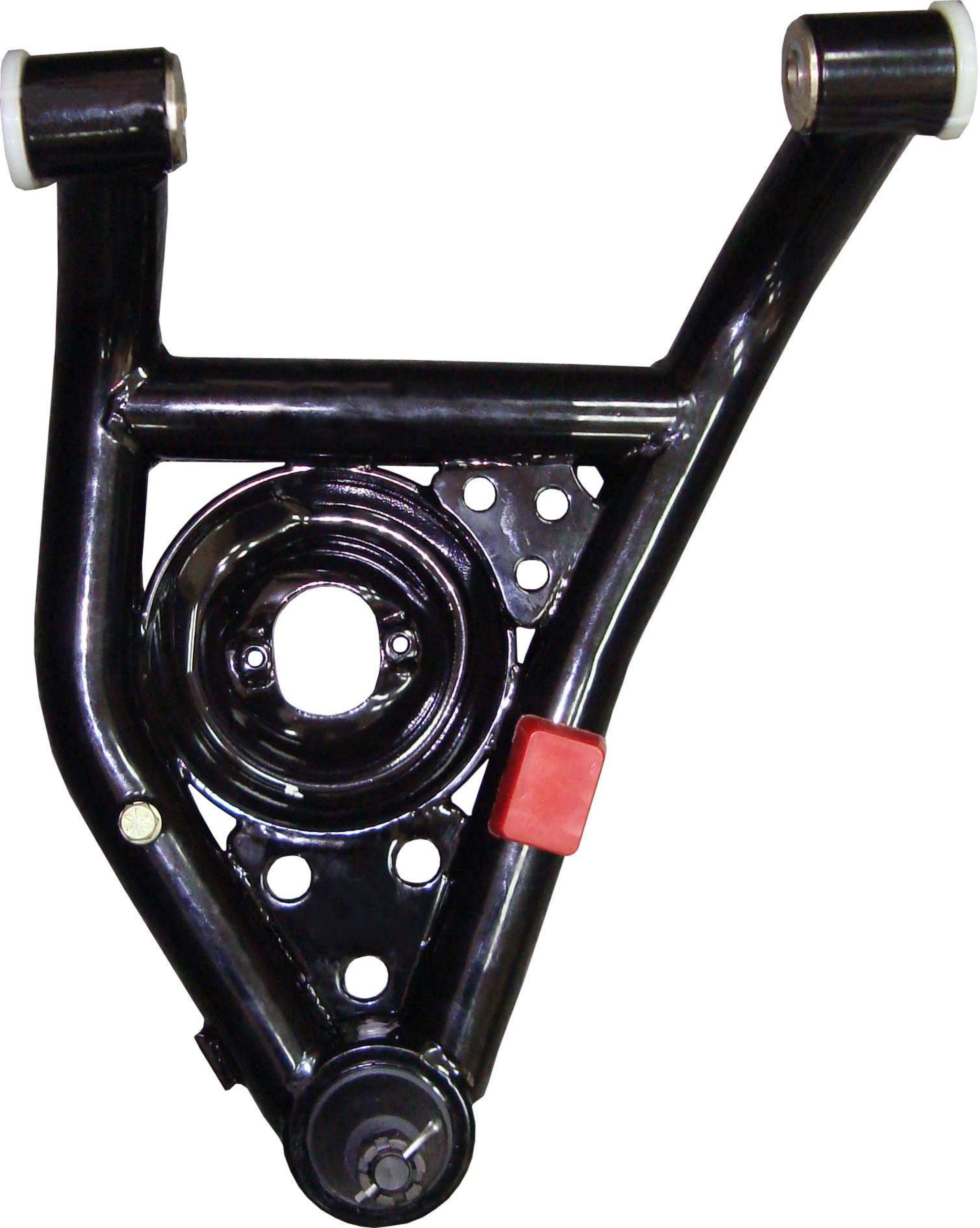




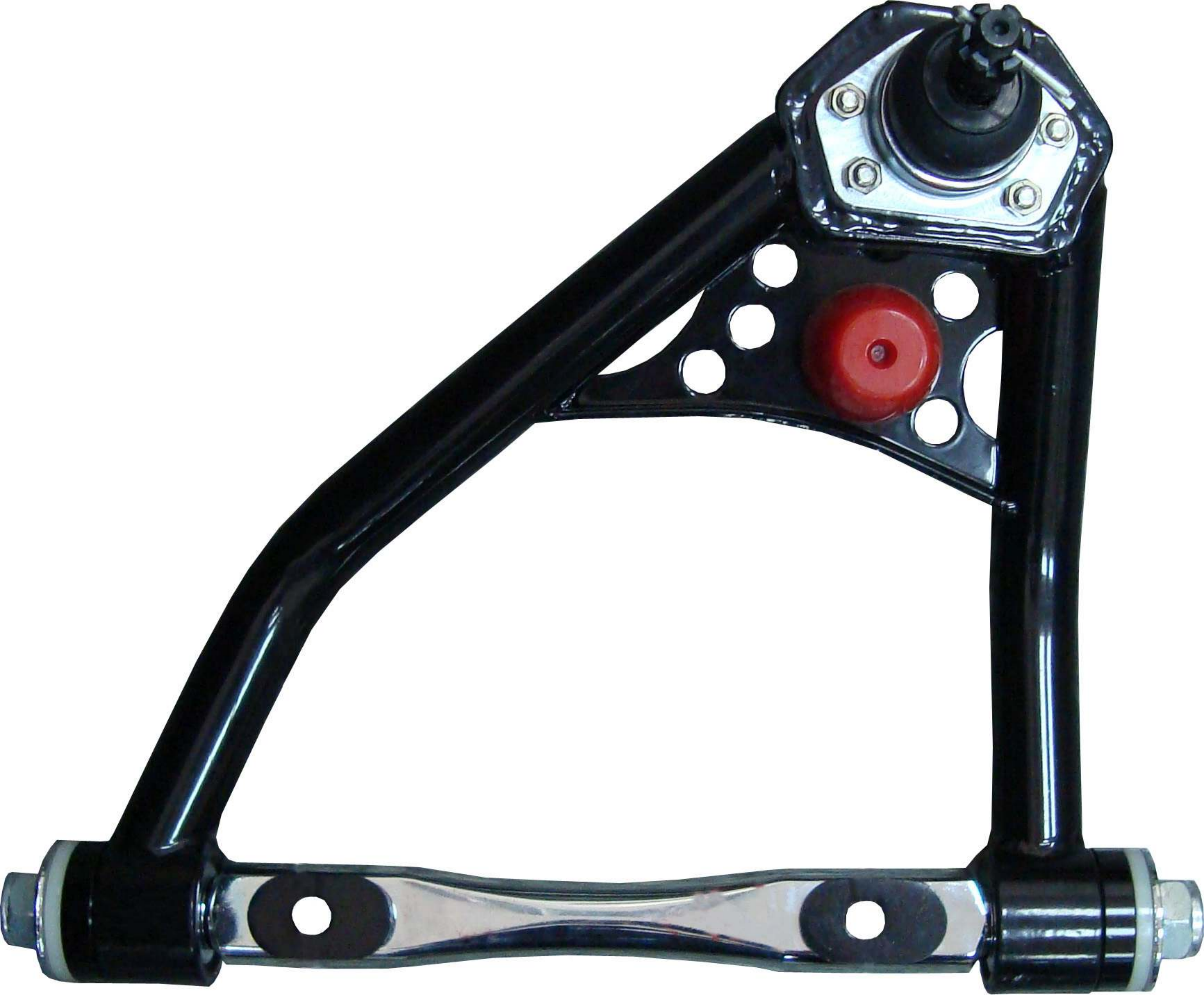




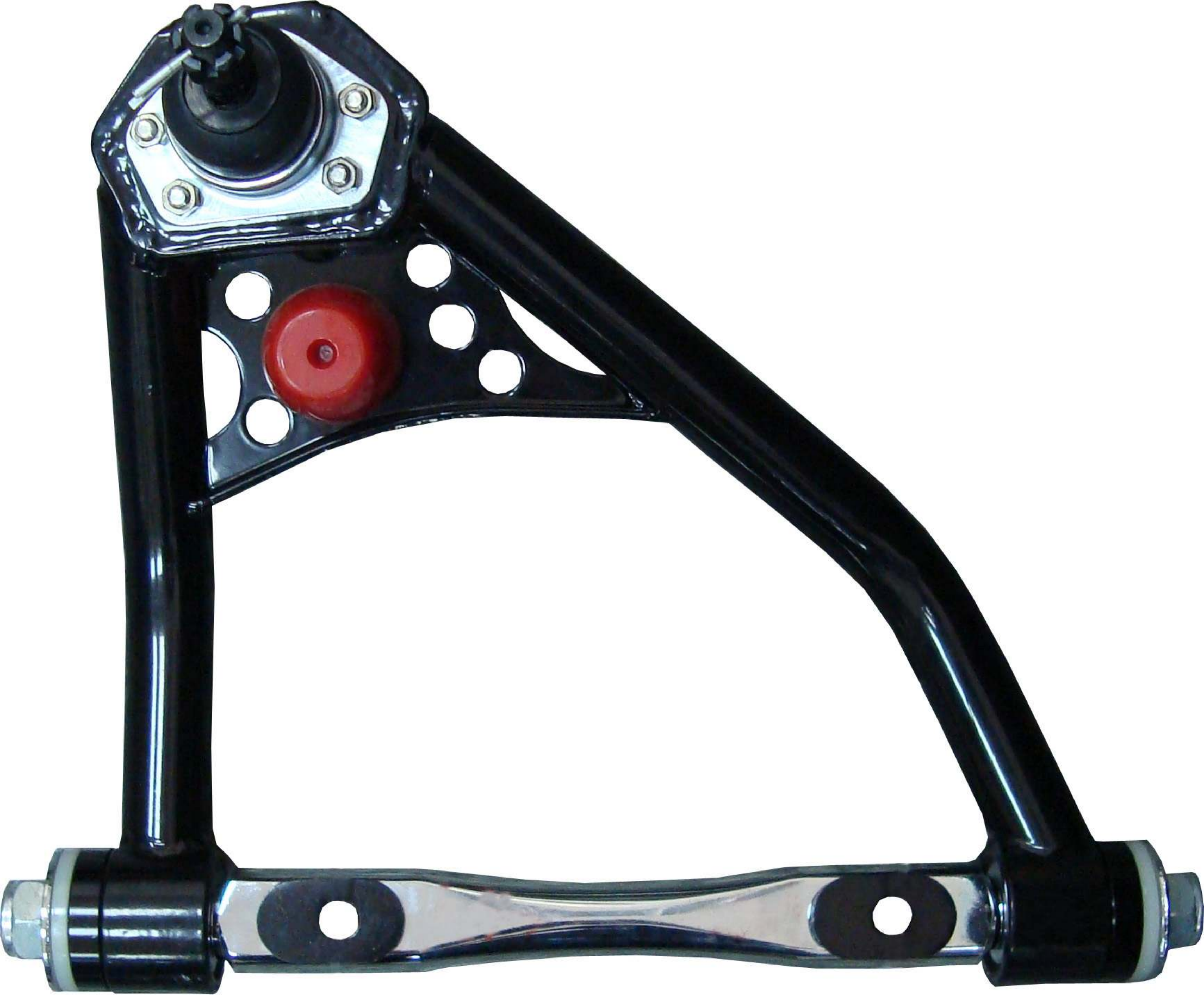
































































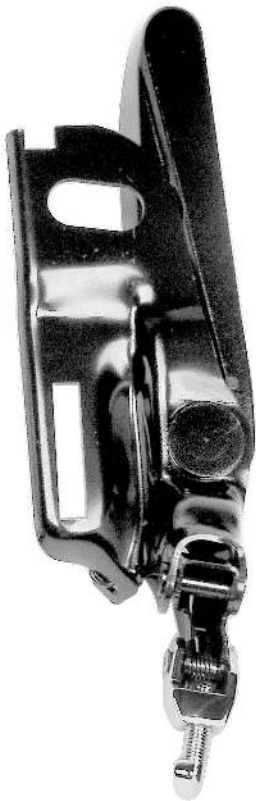
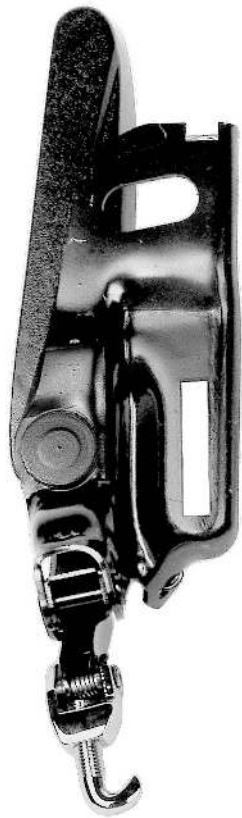








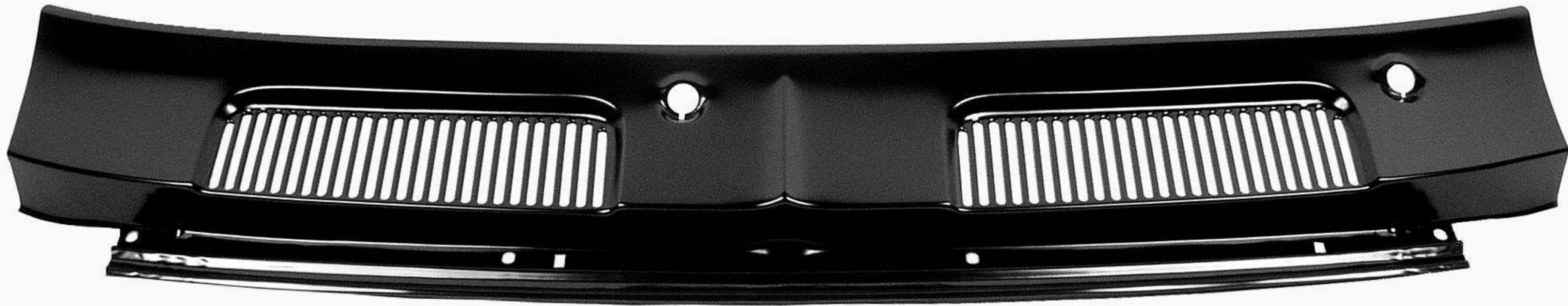


























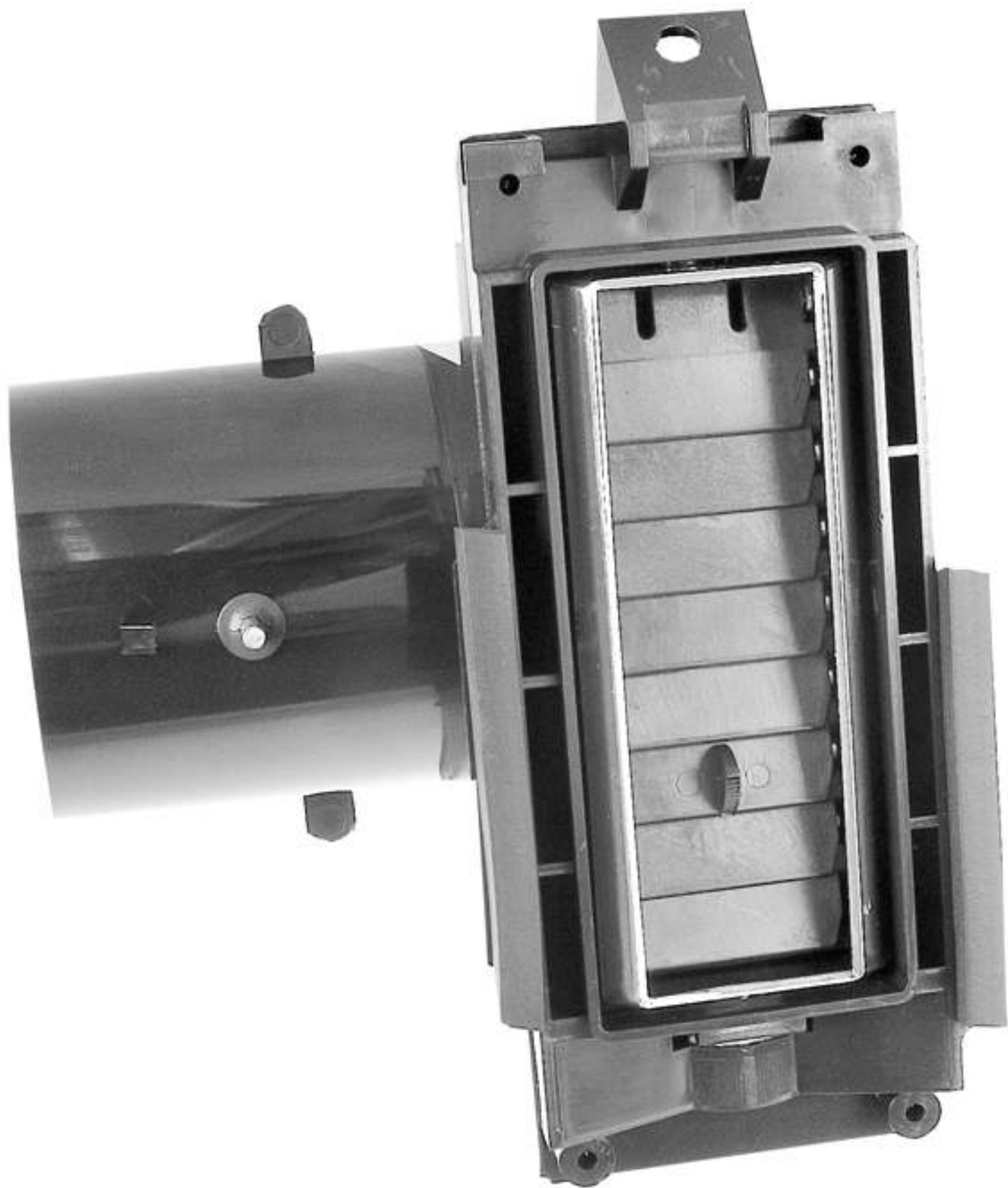


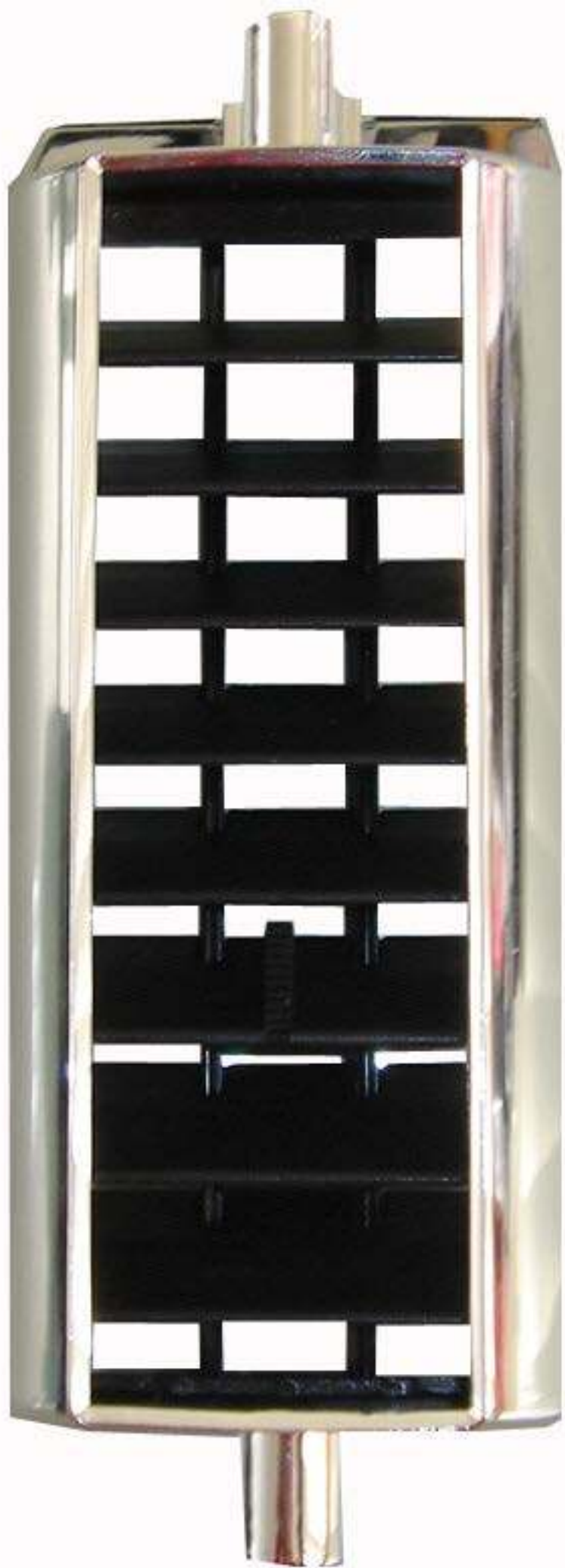
*Astro*

VENTILATION



























**Box Size:**  
57" x 15" x 13"  
**Weight:**  
19.4 lbs.







**Top View**



**Bottom View**





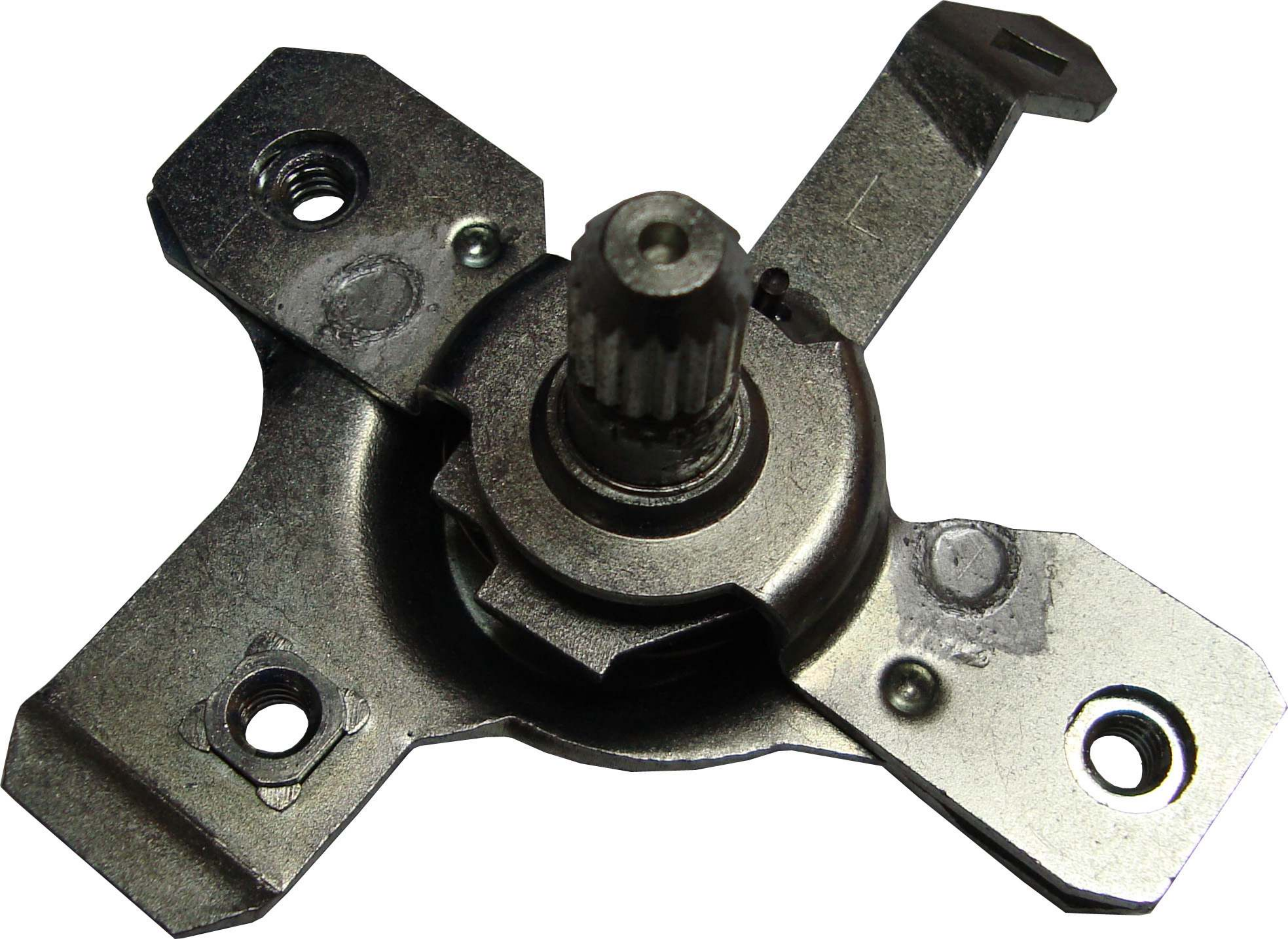




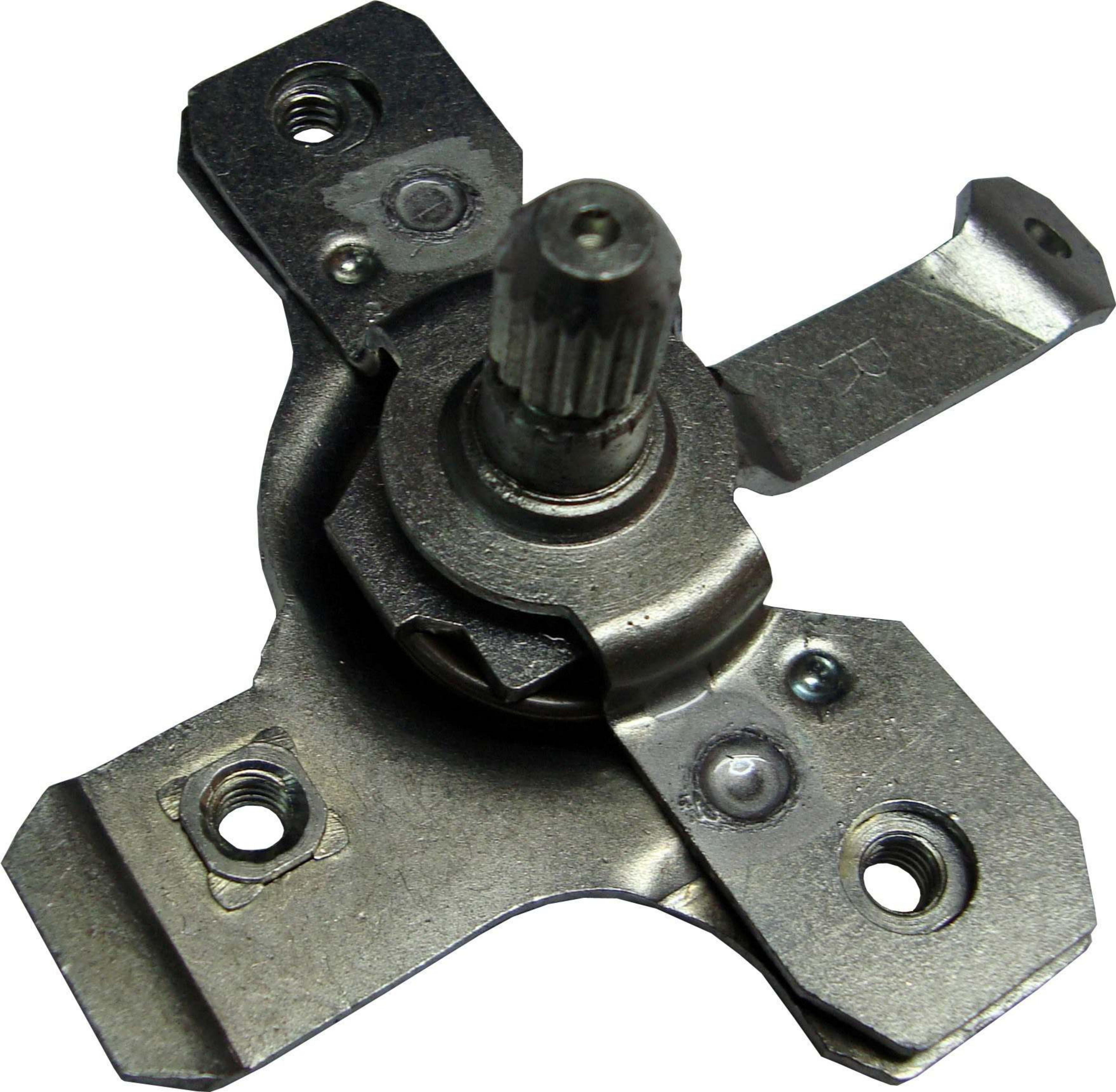




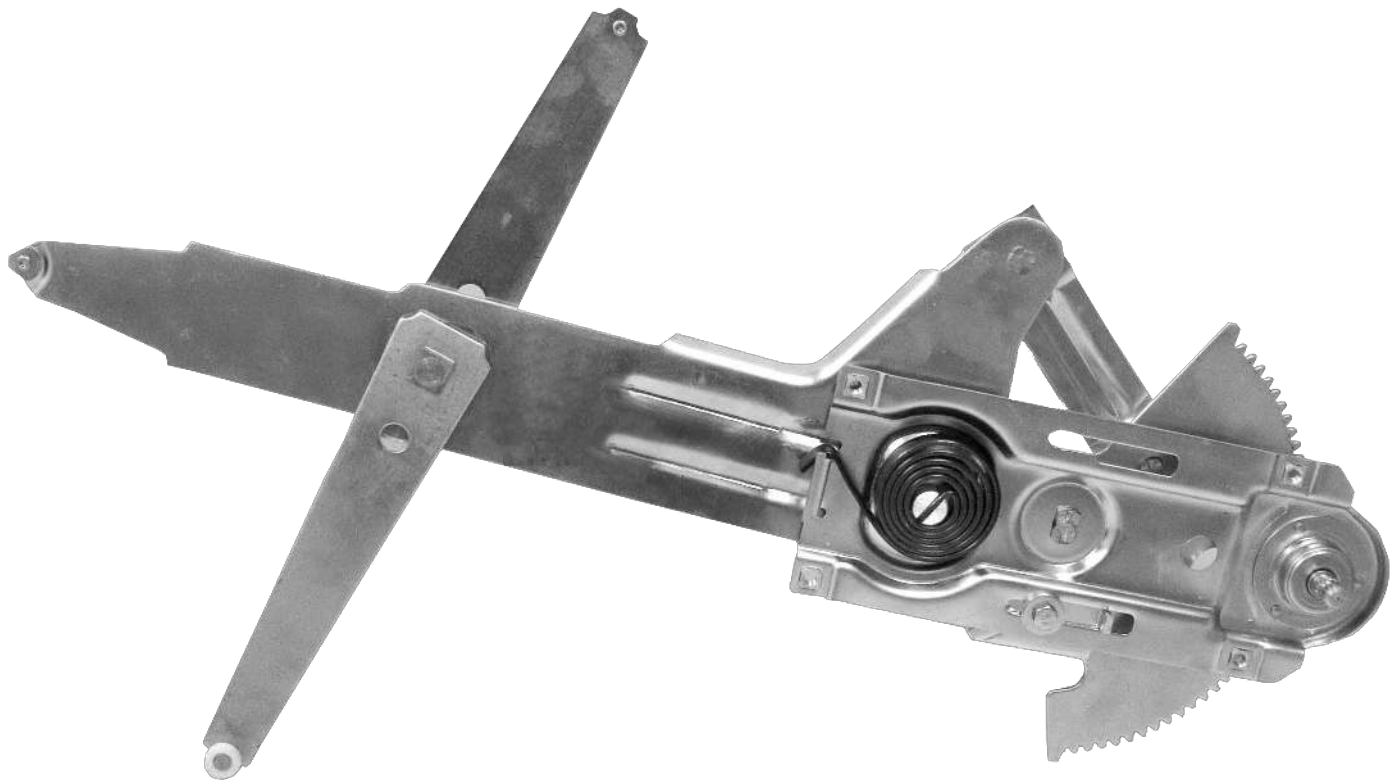


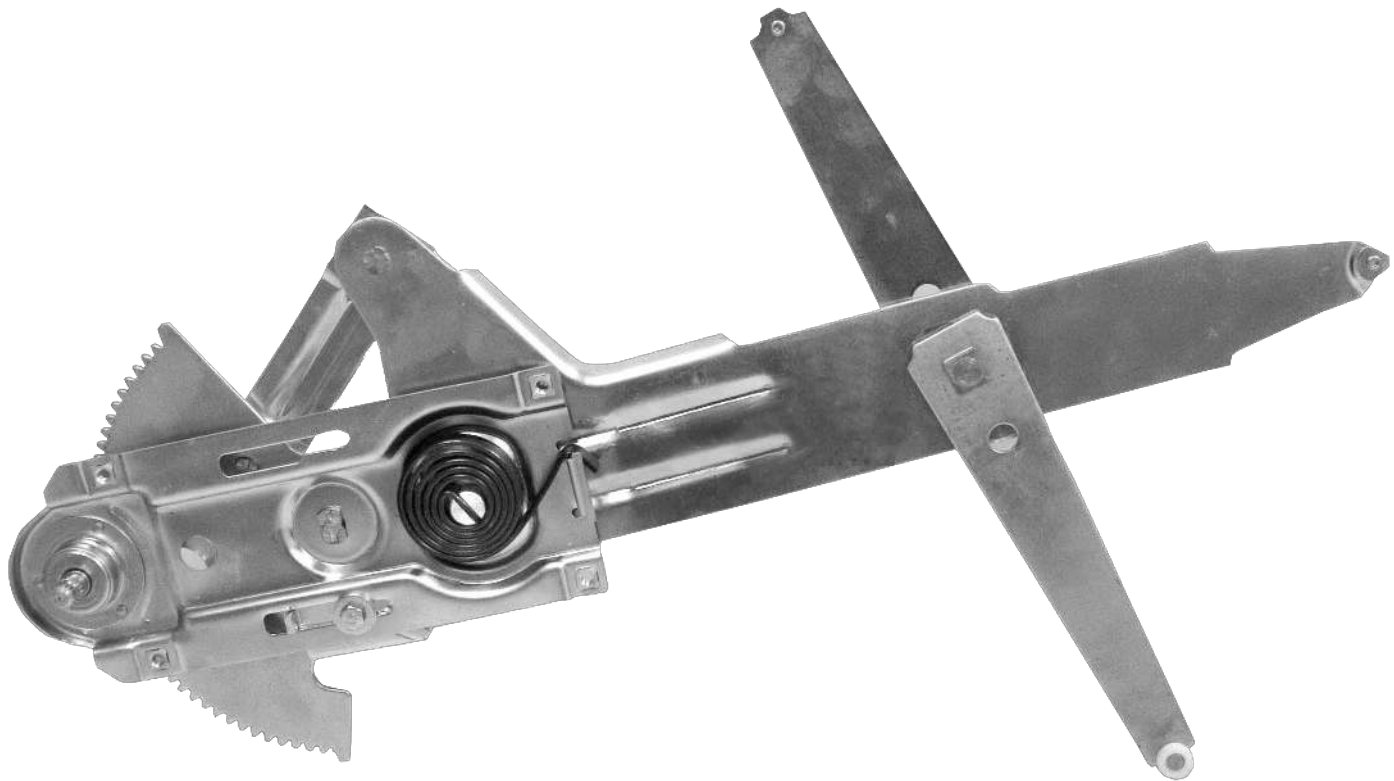




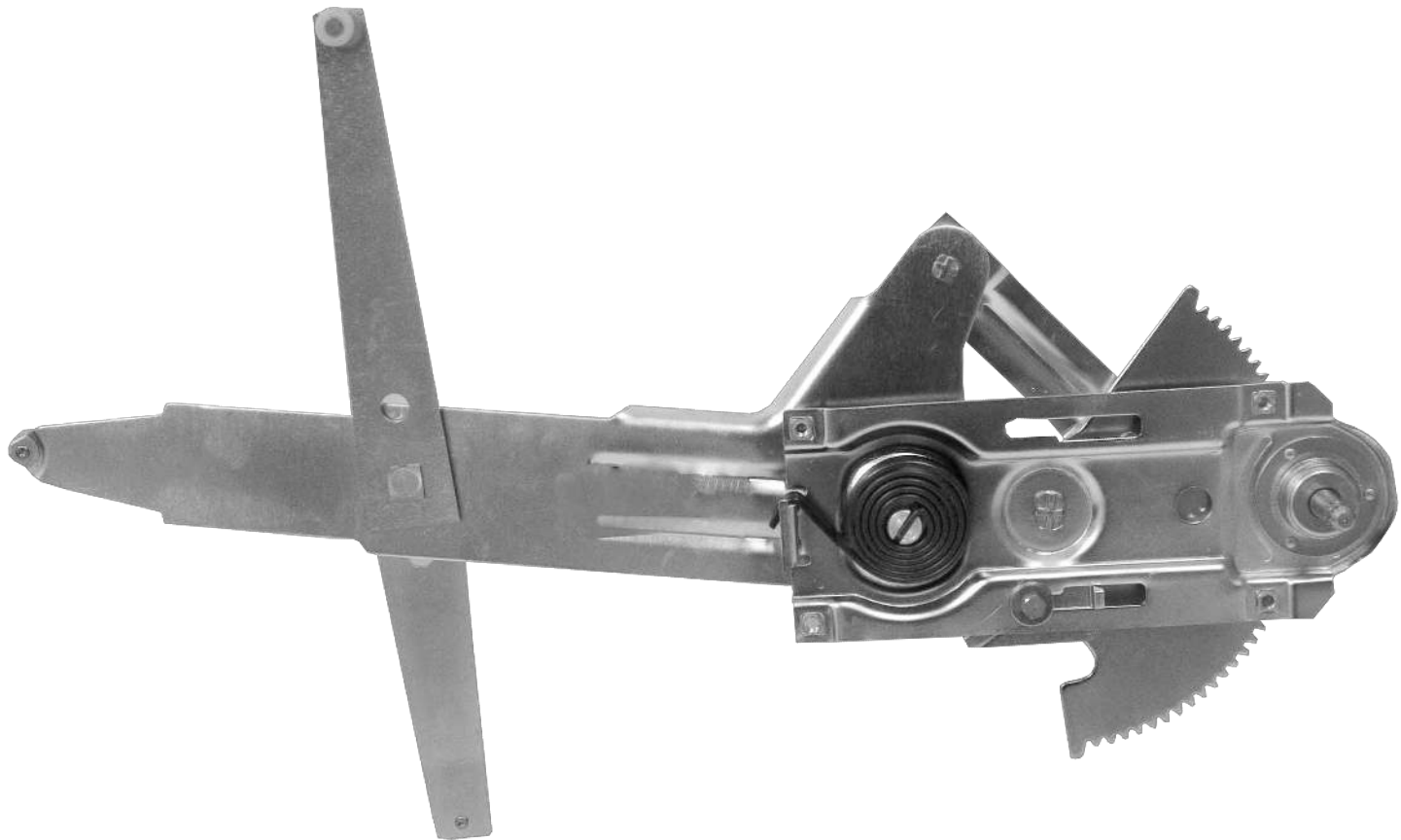


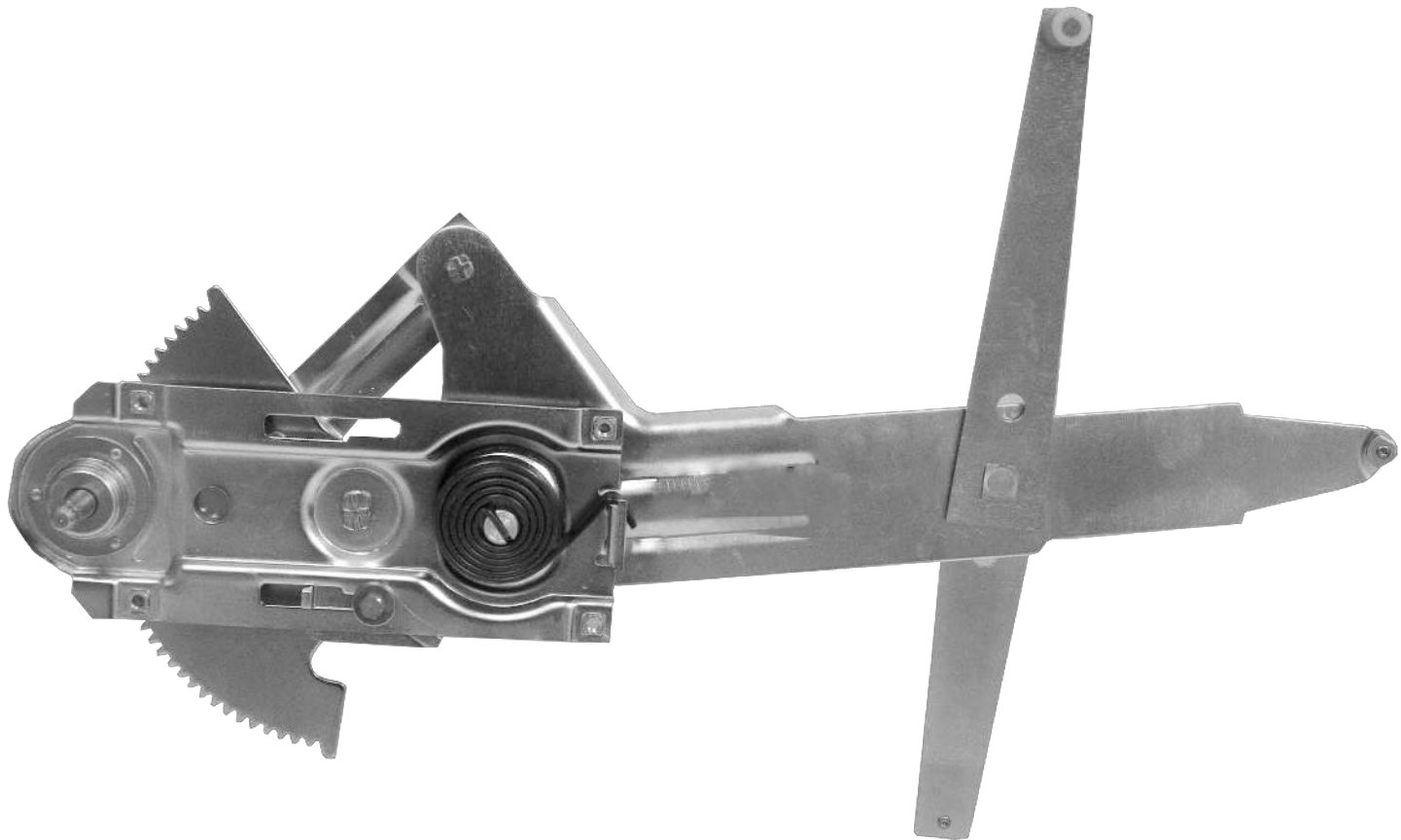


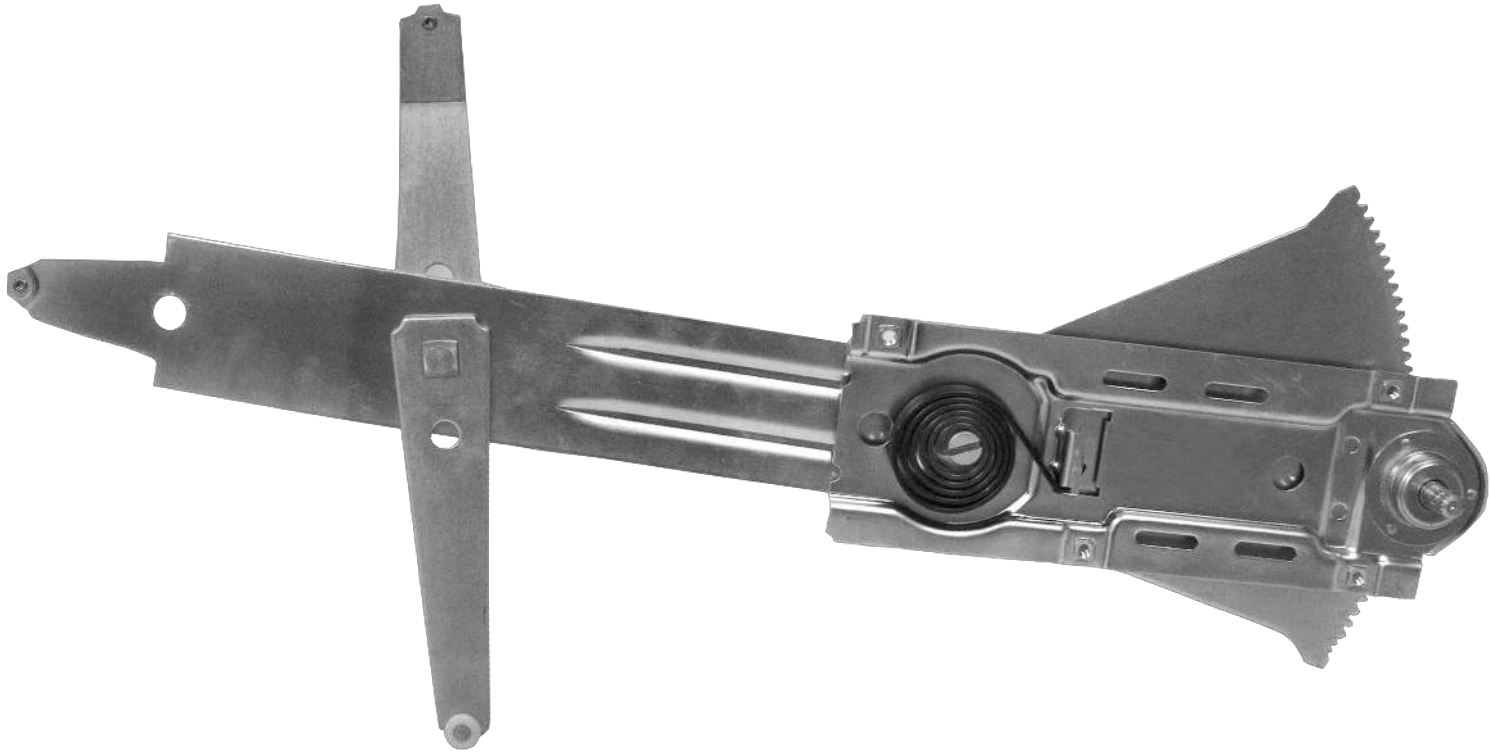


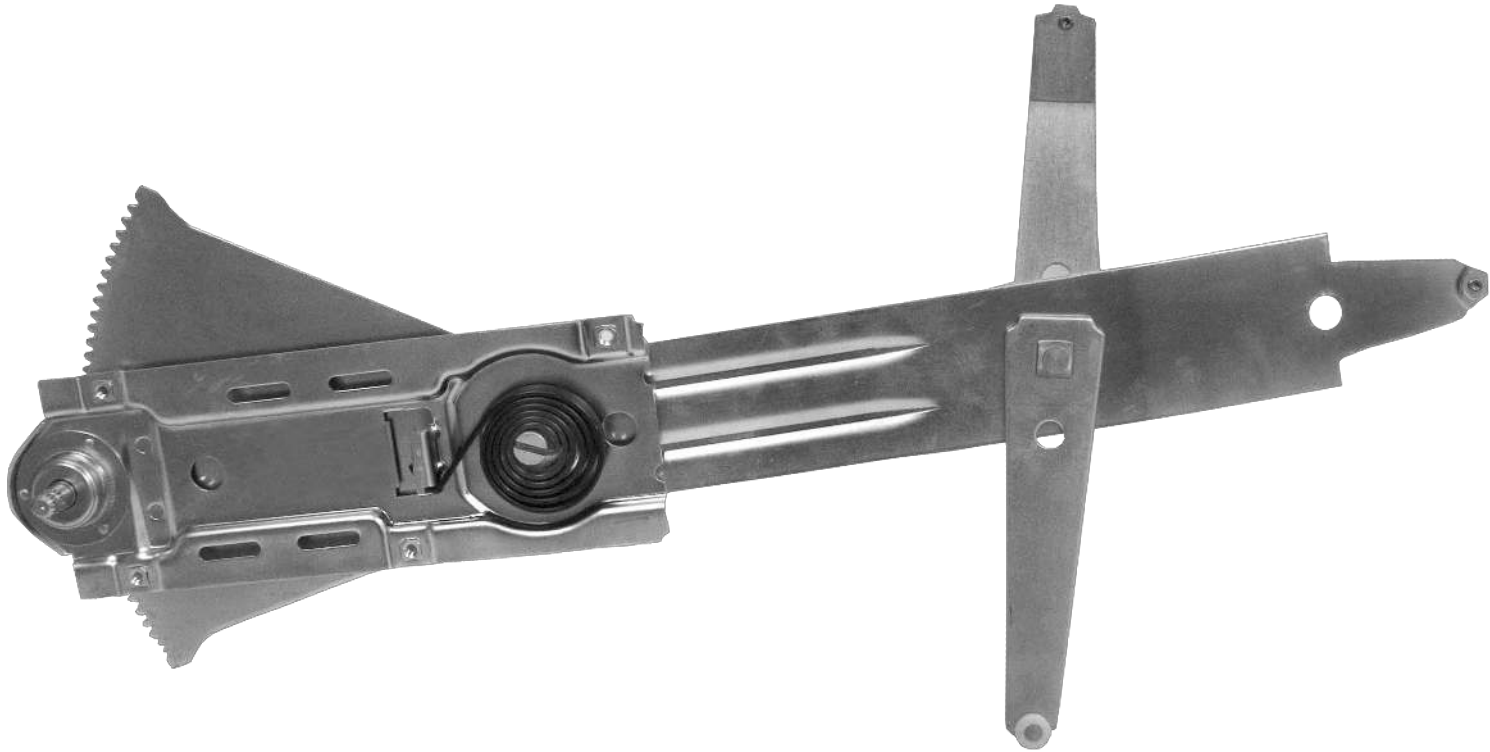


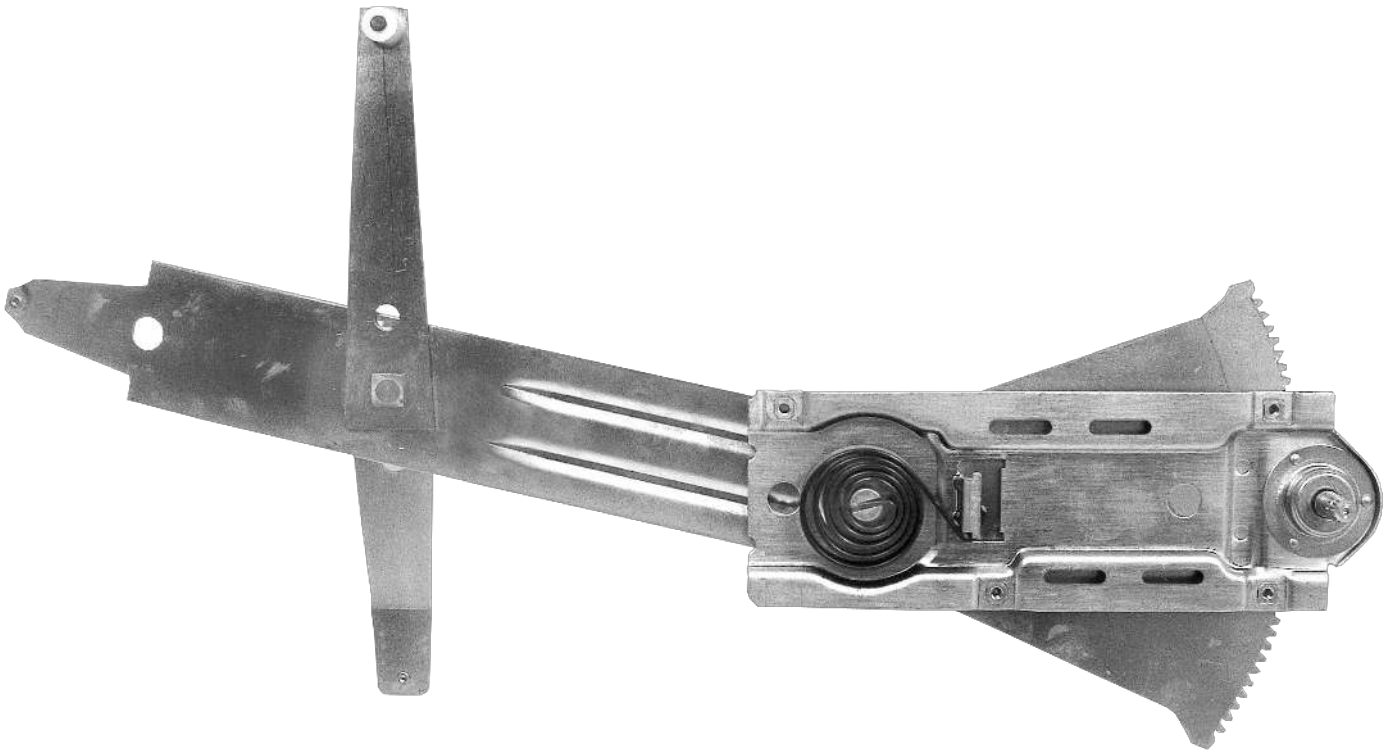




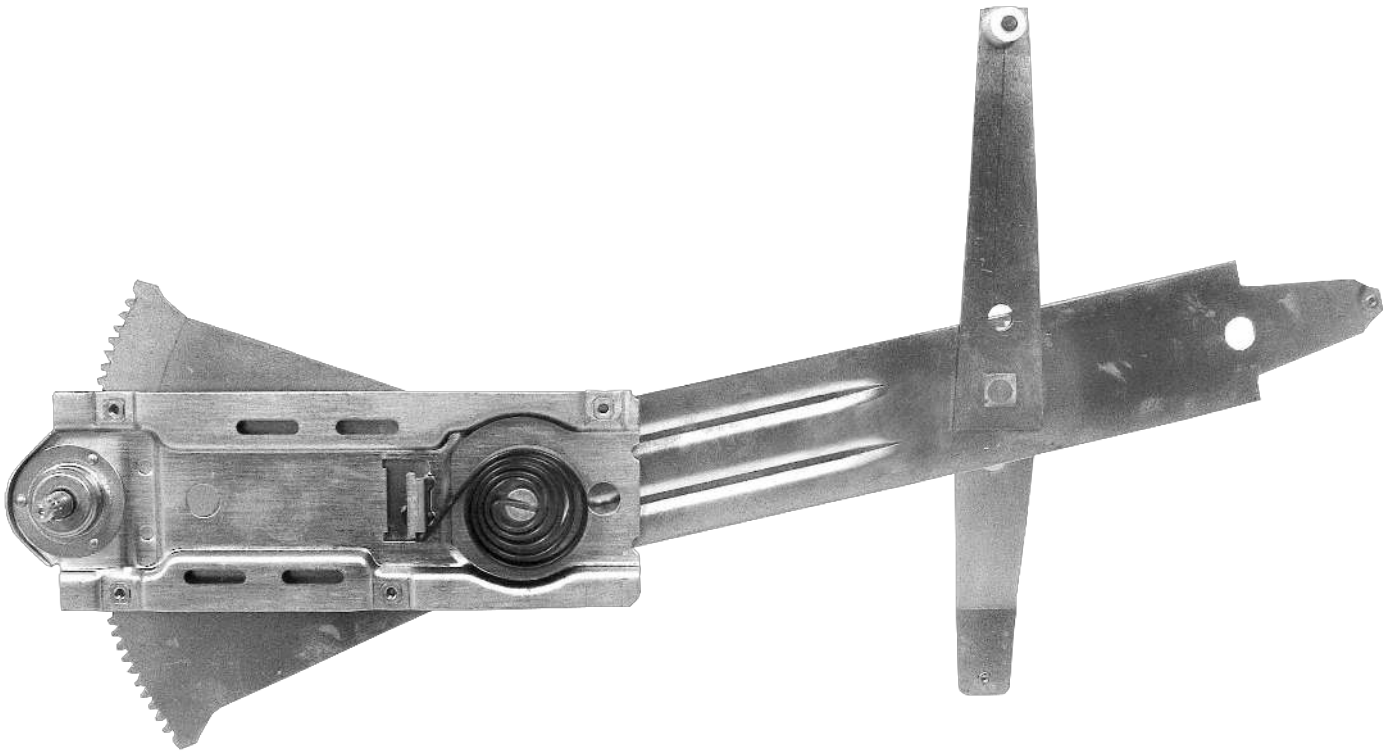








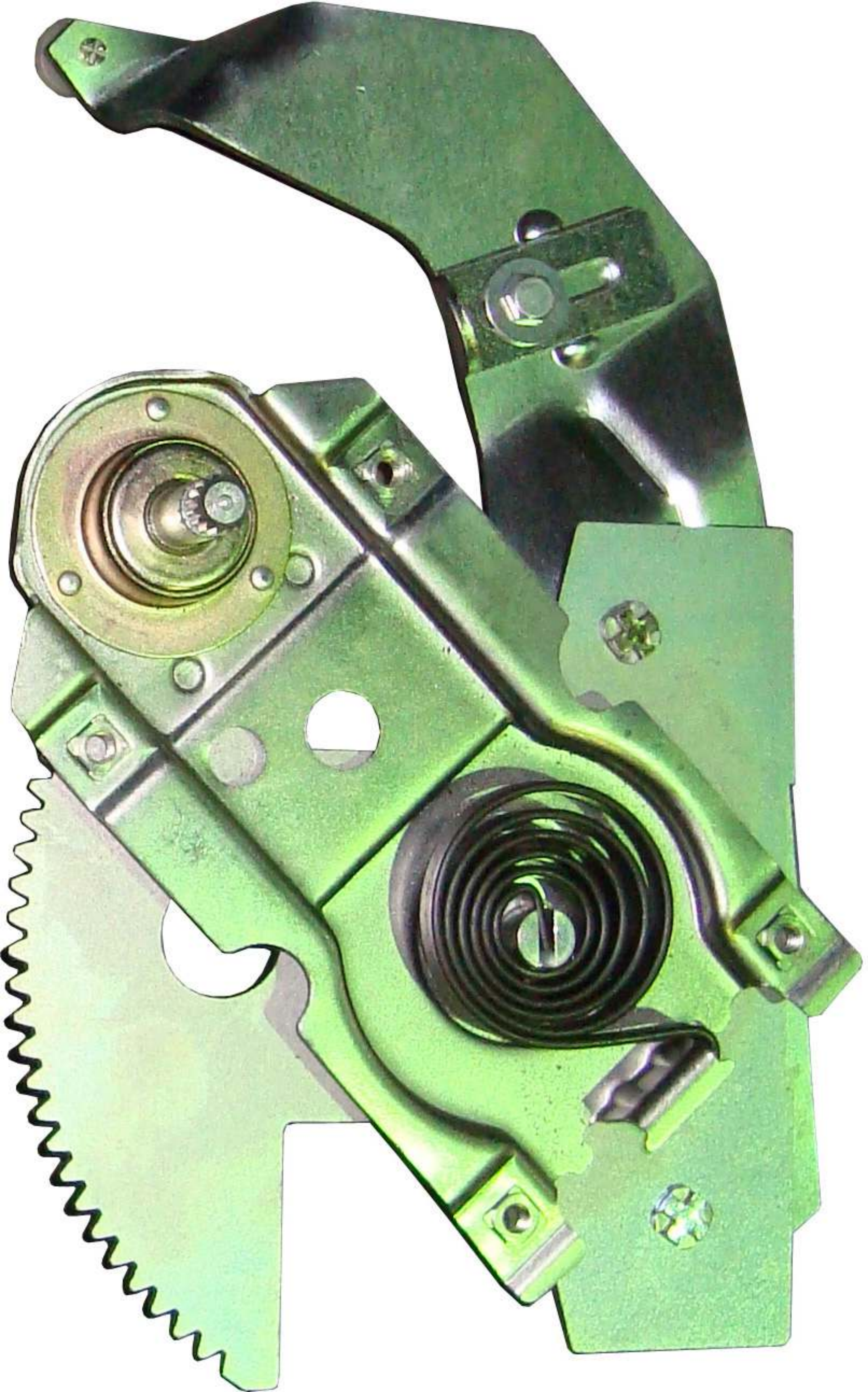












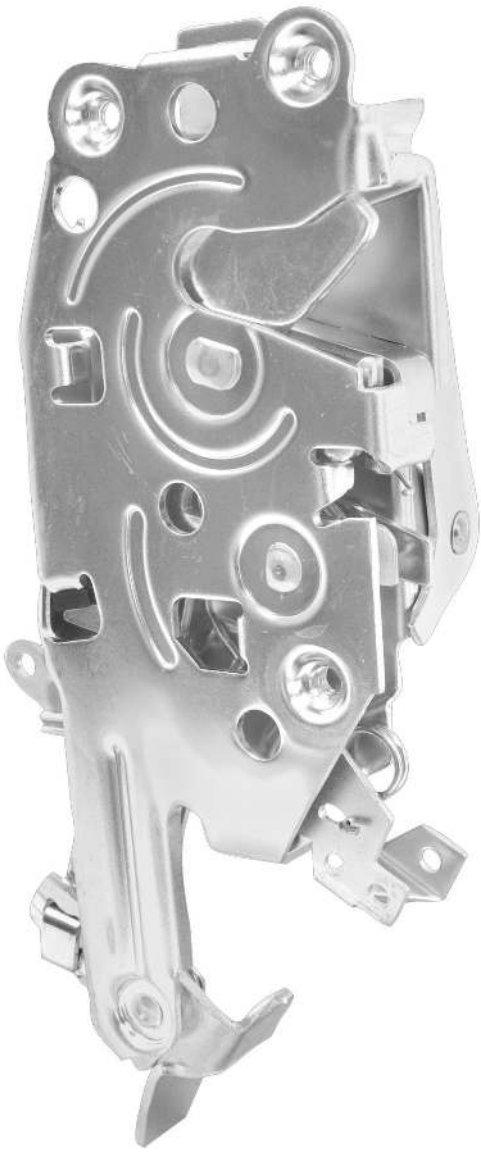


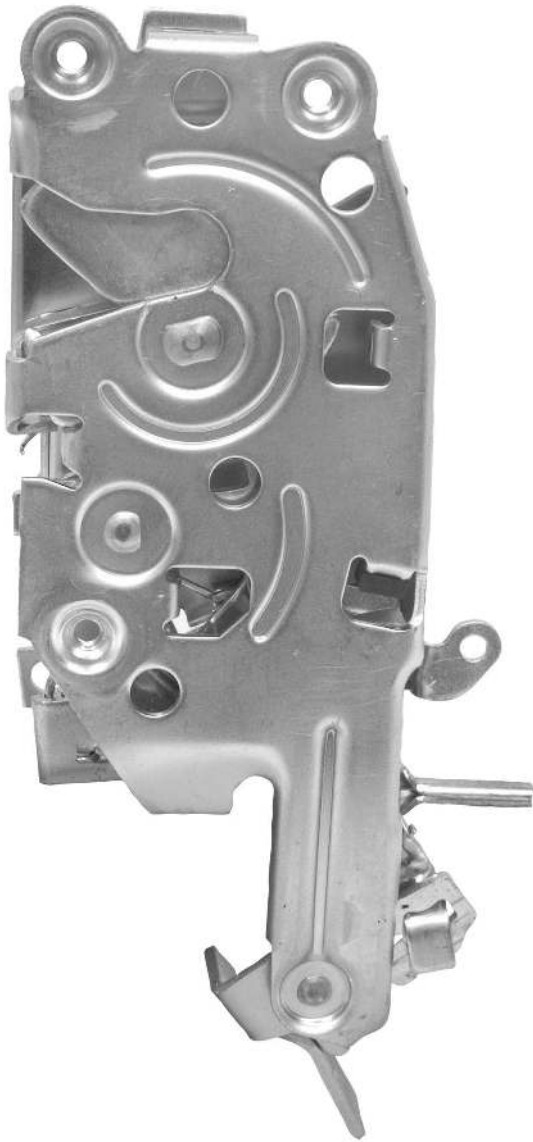


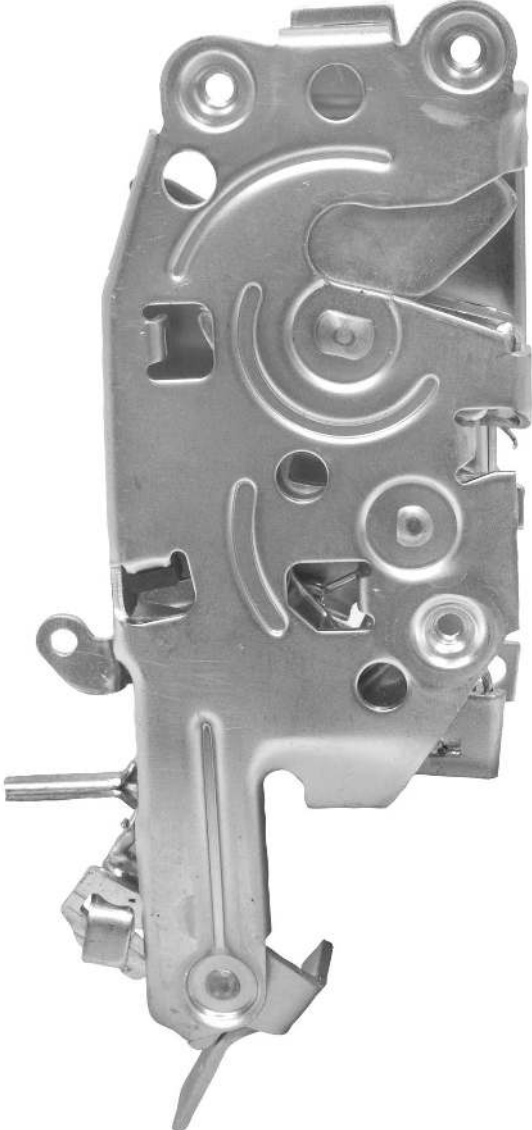


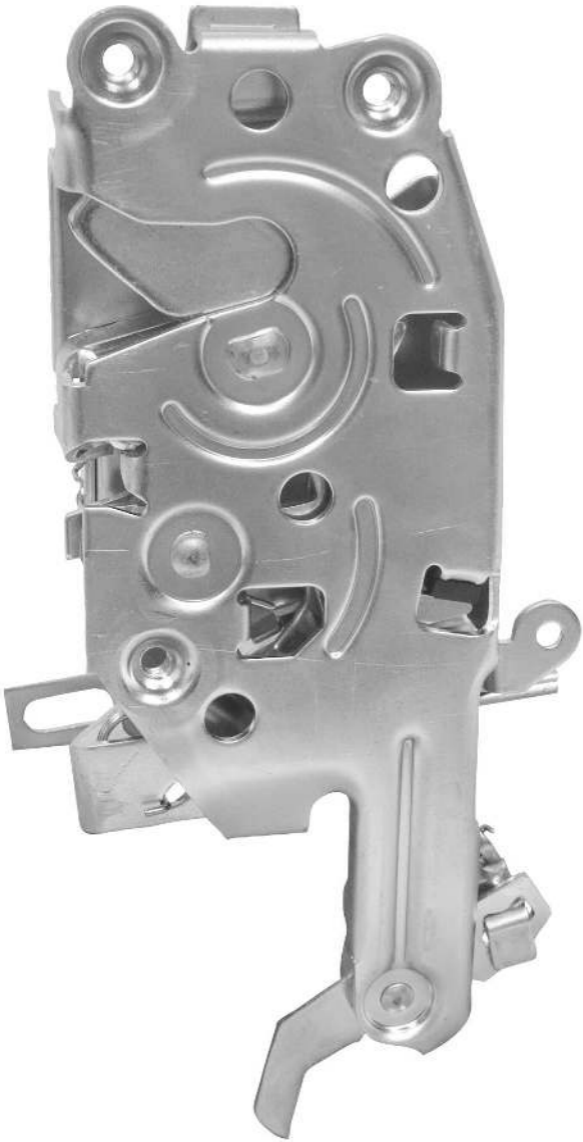




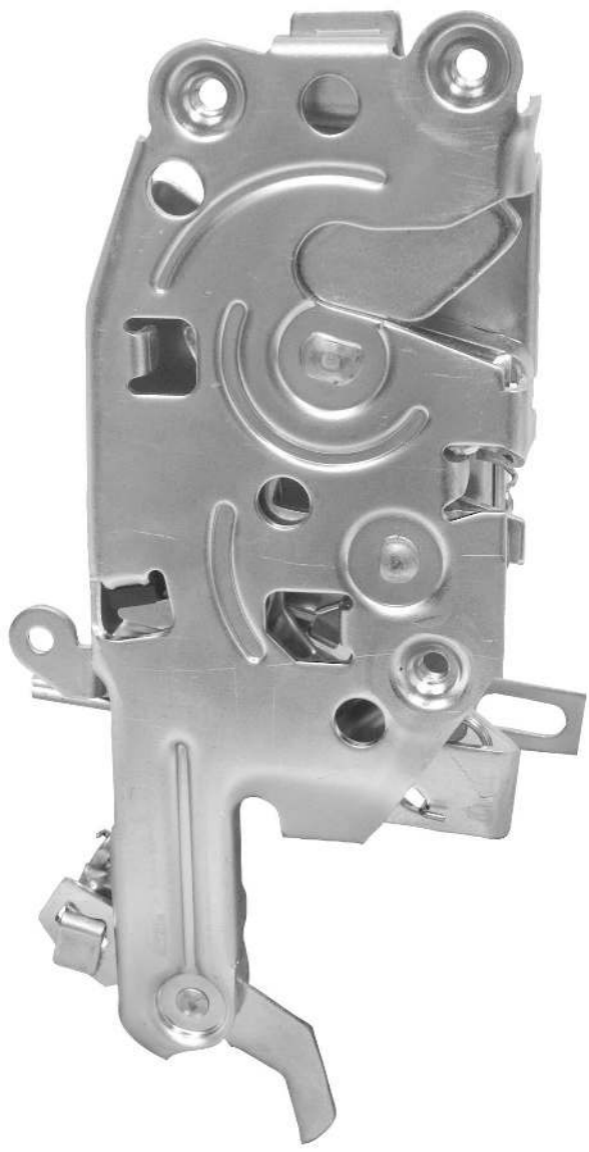


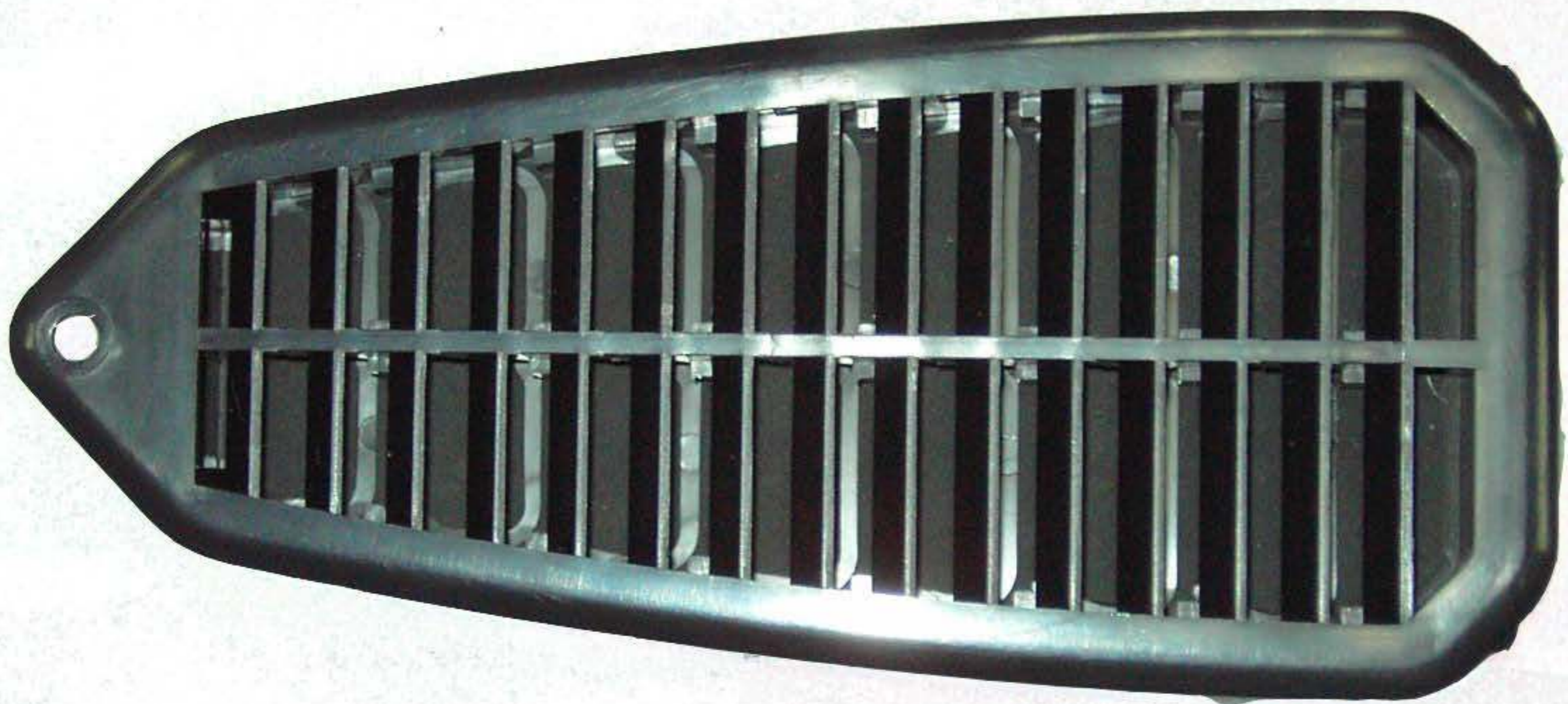
















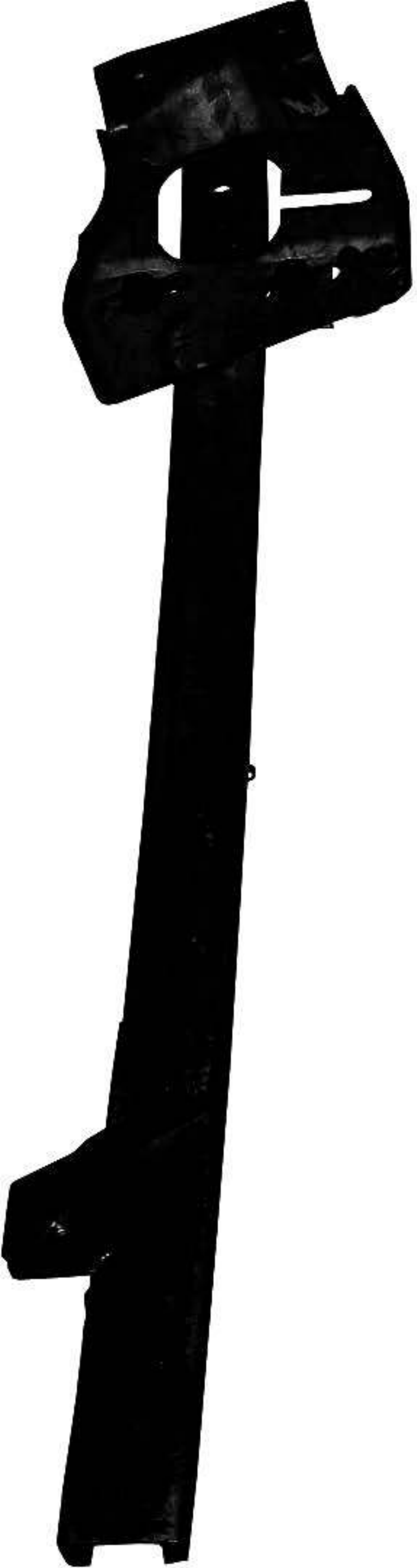


















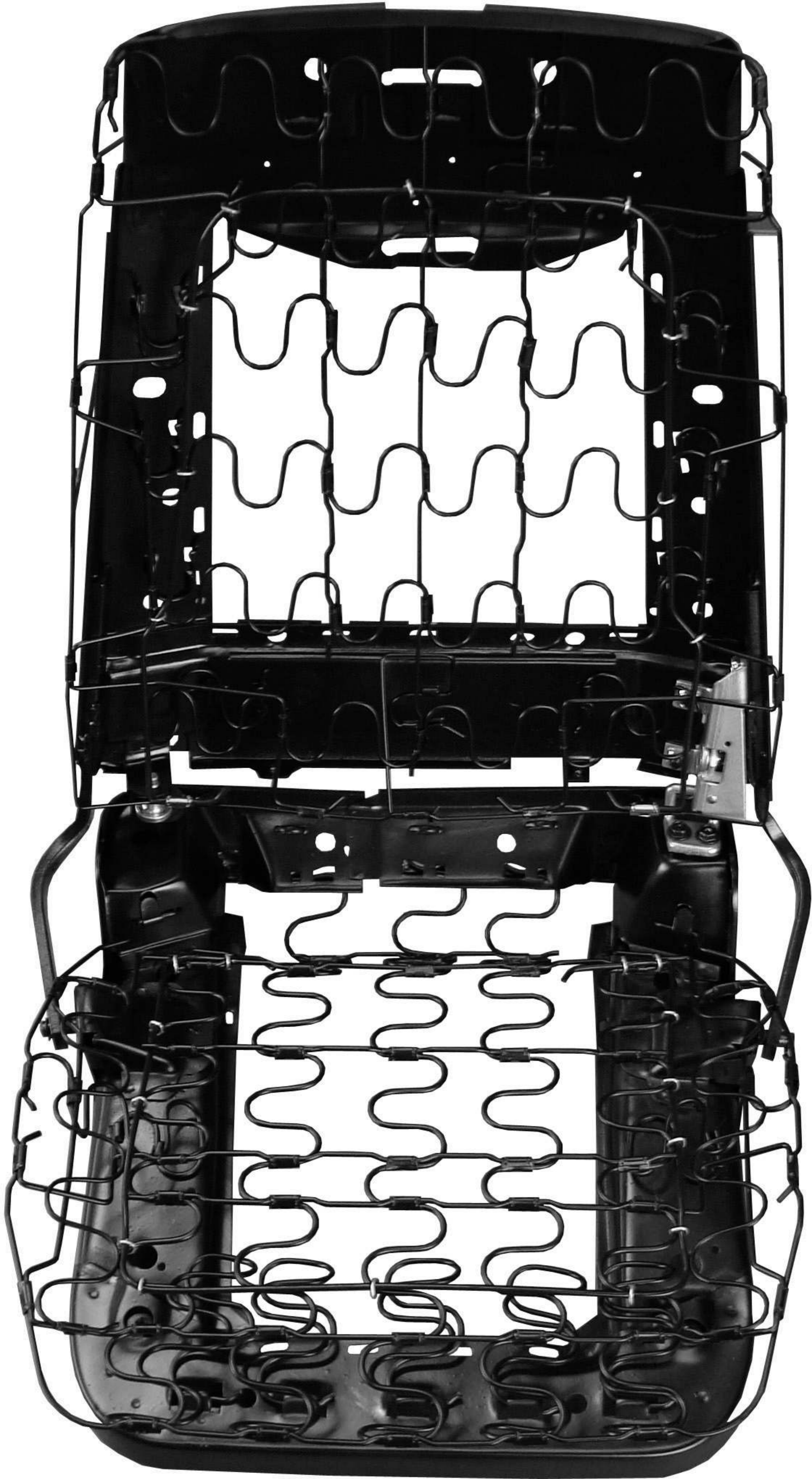




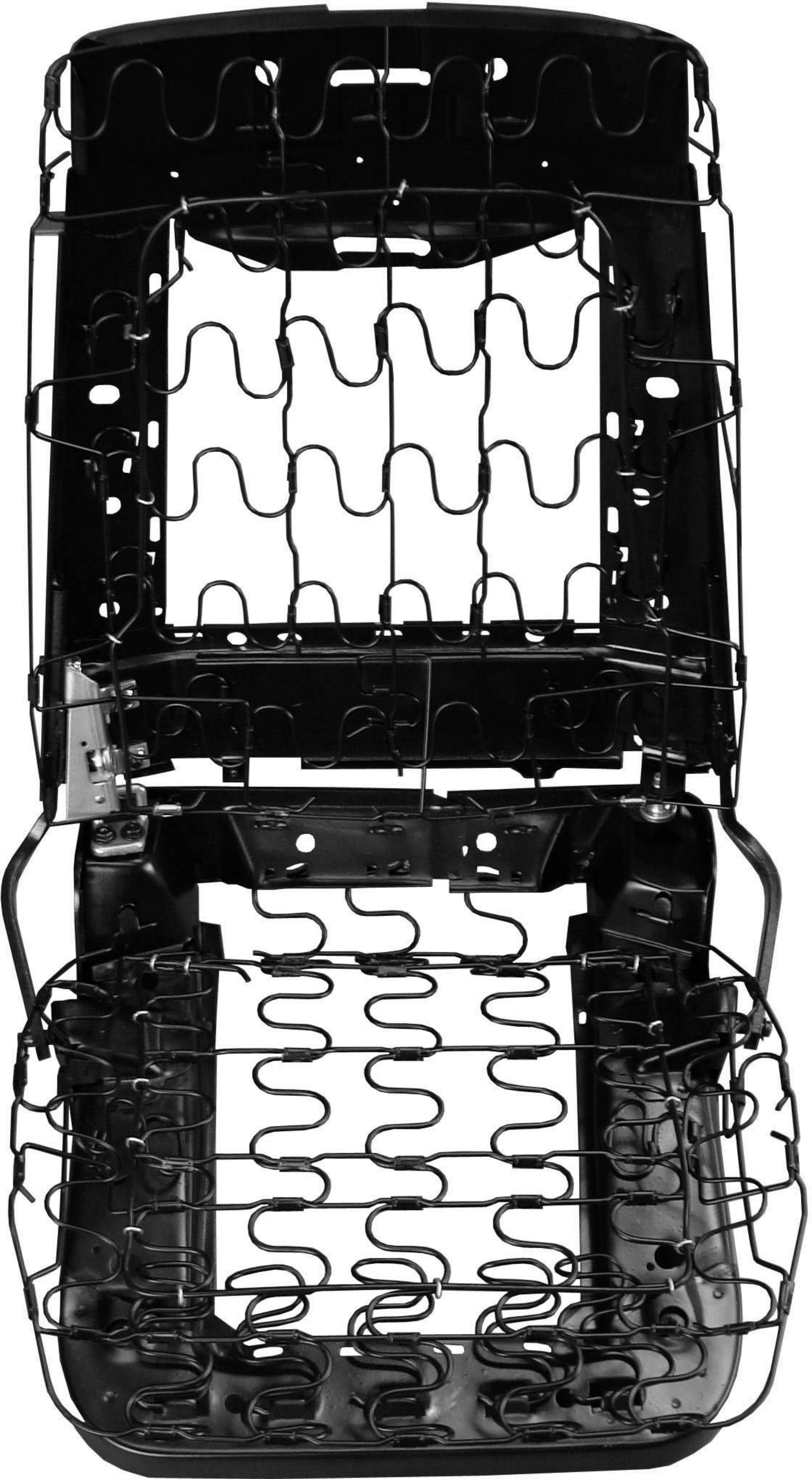






























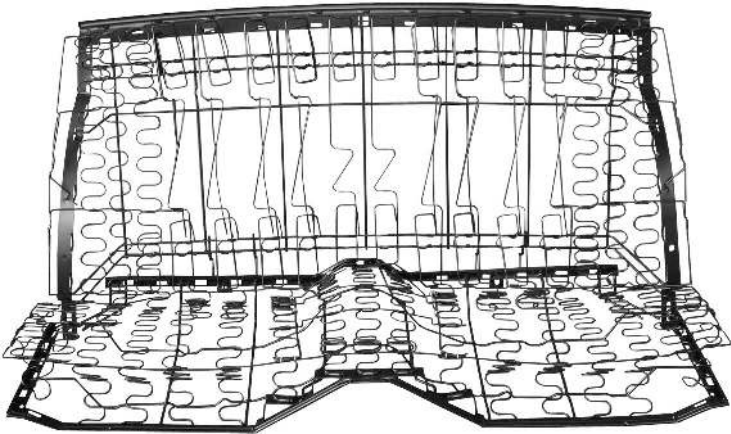


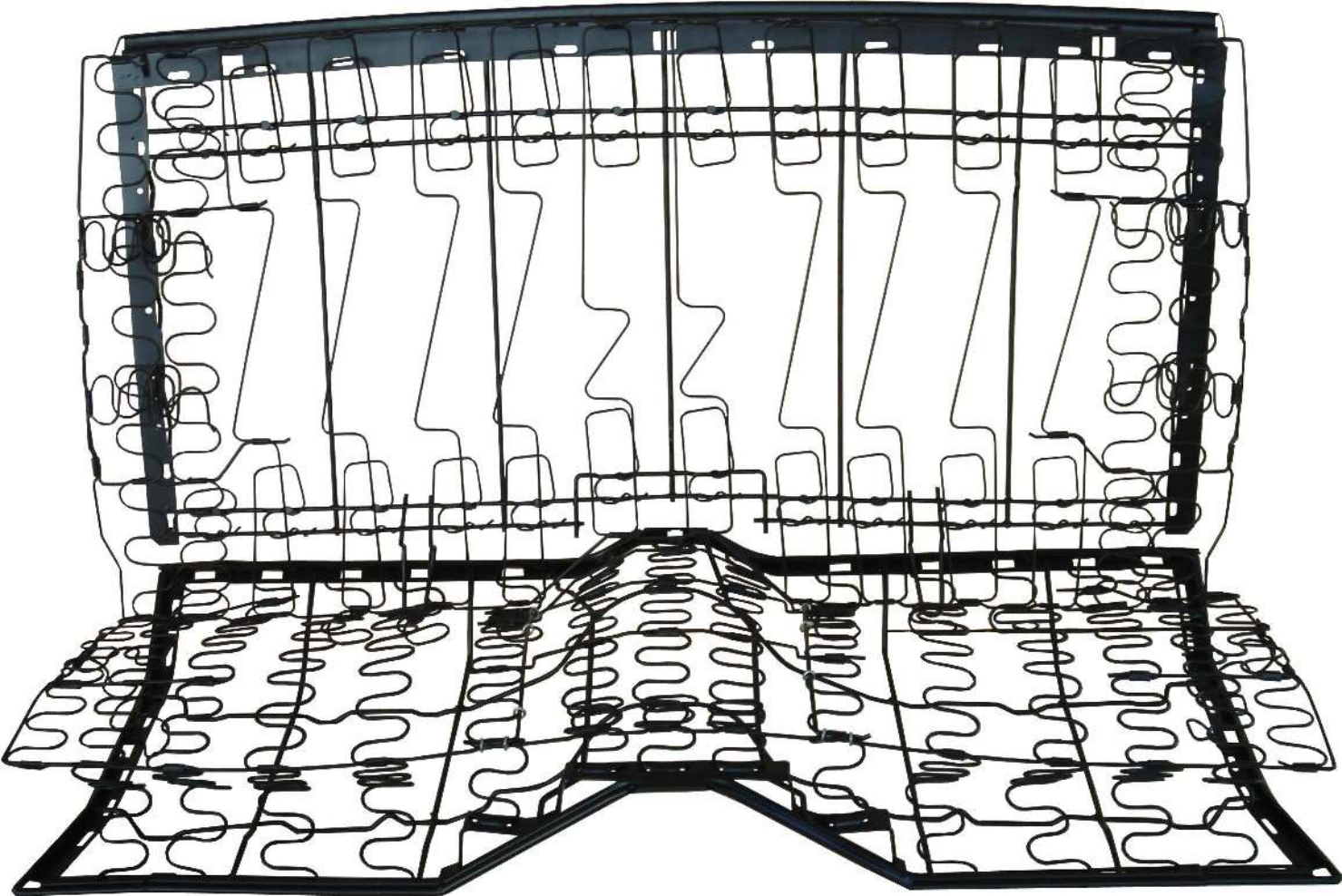




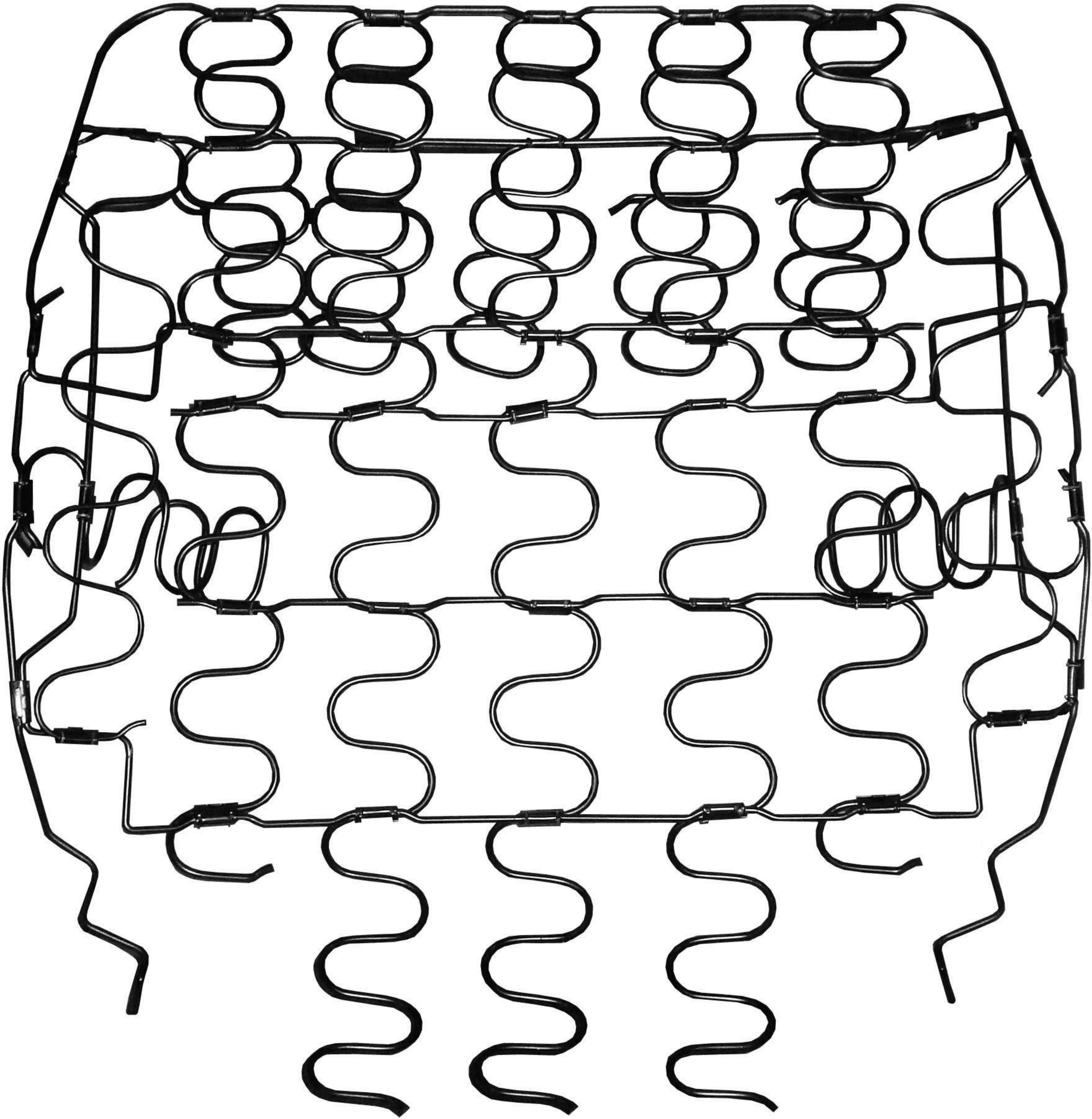
















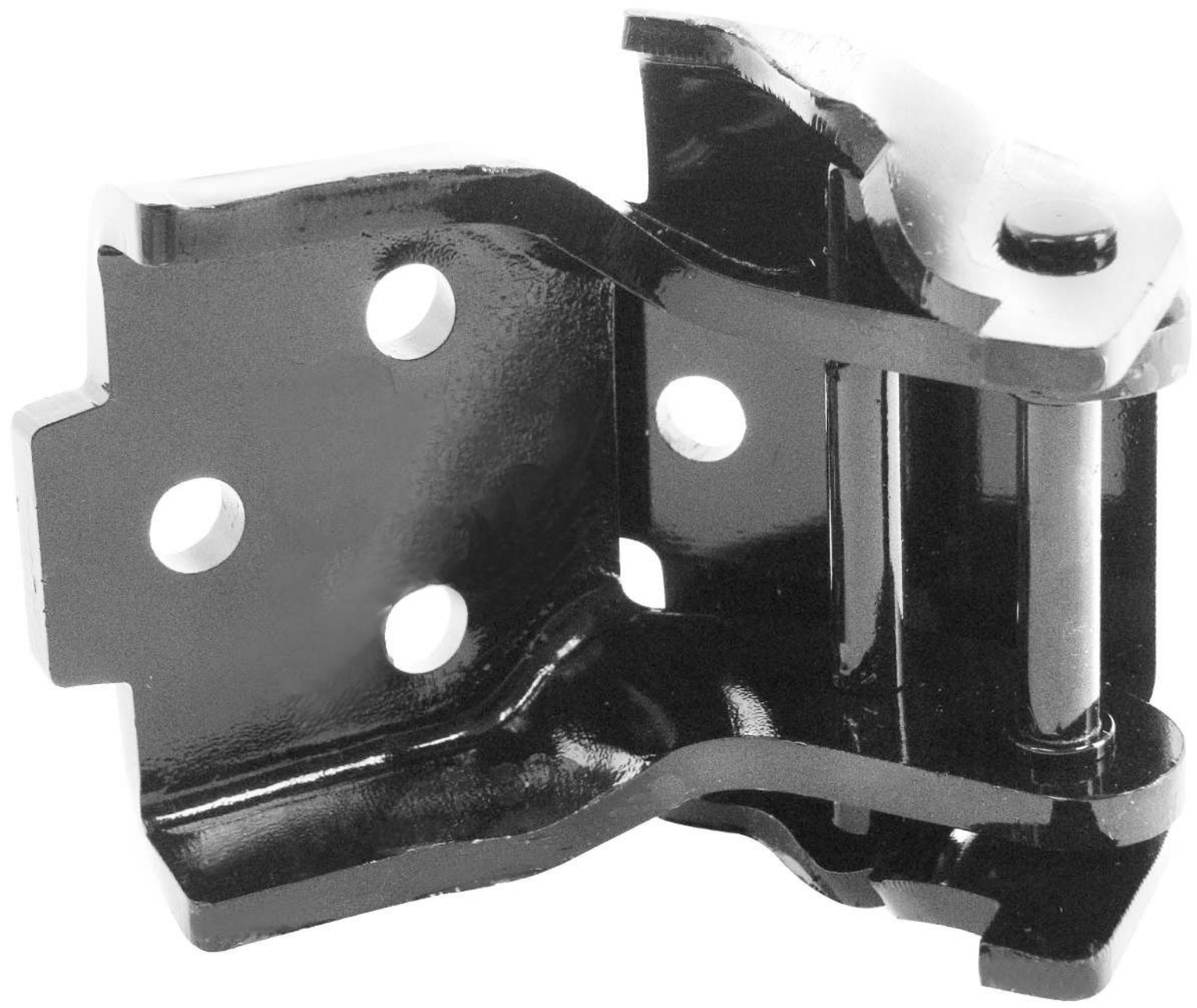


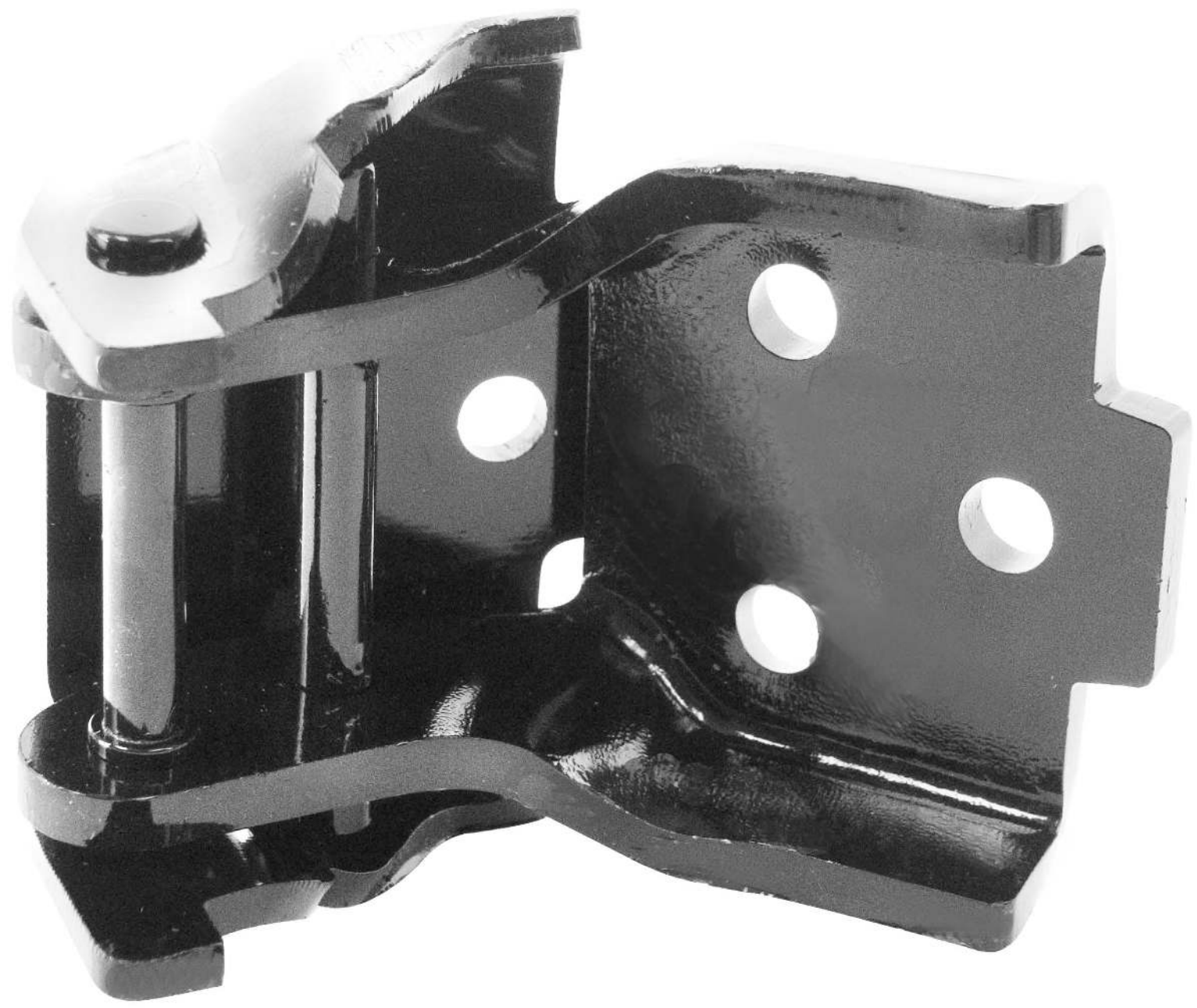


















25





52











